

PUMP

ASSEMBLY INSTRUCTION

W0UD

**THE PUMP TABLE LAMP IS INSPIRED
BY HOT AIR BALLOONS AND THE IDEA
OF A LUMINAIRE LIFTING OFF THE
GROUND. FLOATING IN THE AIR. THE
LIGHT TUBULAR STEEL STRUCTURE
SYMBOLISES THE PROPELLANT OF A
ROCKET, ACCENTUATING THE EFFECT
OF LEVITATION OF THE SHADE.**



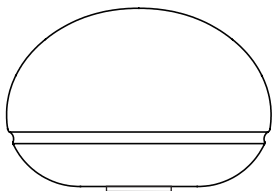
KUTARQ STUDIO

ASSEMBLY INSTRUCTION

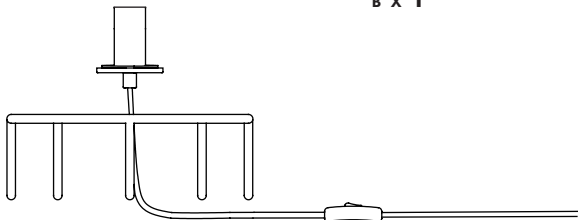
**PLEASE GO THROUGH THE FOLLOWING
STEPS CAREFULLY. RETAIN THIS MANUAL
FOR FUTURE REFERENCE TO ENSURE THAT
YOUR NEW ITEM IS CORRECTLY ASSEMBLED
IN CASE IT SHOULD BE DISASSEMBLED OR
MOVED. WE ARE NOT RESPONSIBLE FOR
ANY FAULTS OR DAMAGES CAUSED BY
NOT FOLLOWING THESE INSTRUCTIONS
CORRECTLY.**



**NOT
INCLUDED**



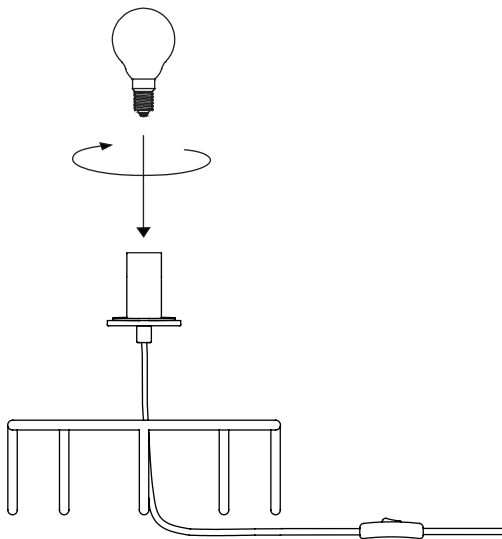
B X 1



A X 1

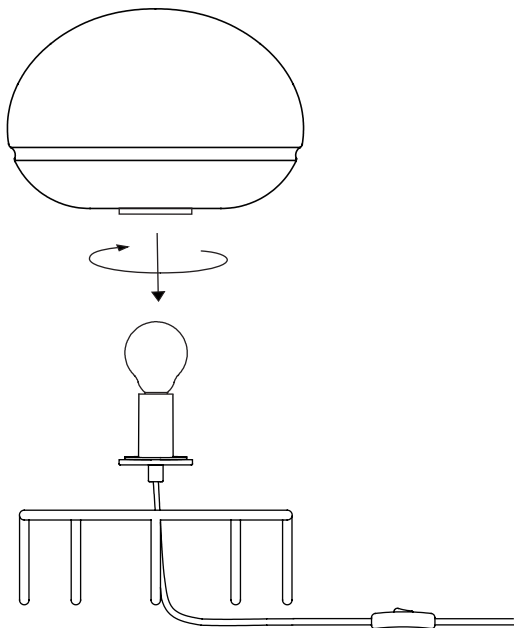
STEP 1

INSERT A SUITABLE LIGHT BULB IN THE SOCKET



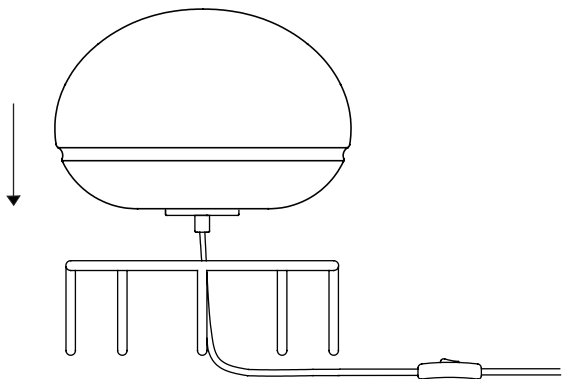
STEP 2

MOUNT THE GLASS SHADE ONTO THE SOCKET



STEP 3

PLACE THE SHADE ON THE METAL FRAME AND PUT THE PLUG IN THE POWER SOCKET. TURN IT ON AND ENJOY.



SAFETY INSTRUCTIONS



IF THE EXTERNAL FLEXIBLE CABLE OR CORD OF THIS LUMINAIRE IS DAMAGED, IT SHALL BE EXCLUSIVELY REPLACED BY THE MANUFACTURER OR SIMILAR QUALIFIED PERSON IN ORDER TO AVOID A HAZARD.

THE LAMP IS ONLY INTENDED FOR INTERIOR USE.

LAMP EXTERIOR CAN GET HOT AFTER PROLONGED USE.

ENSURE BULB HAS FULLY COOLED BEFORE ATTEMPTING TO REMOVE IT.

PROTECT FROM CONTACT WITH LIQUIDS.

DO NOT PLACE THE CABLE IN REACH OF SMALL CHILDREN OR ANYWHERE THERE IS A RISK OF FALLING OVER IT.

WARNING: MUST BE INSTALLED BY A LICENCED ELECTRICIAN.

DESIGNED BY
KUTARQ STUDIO