

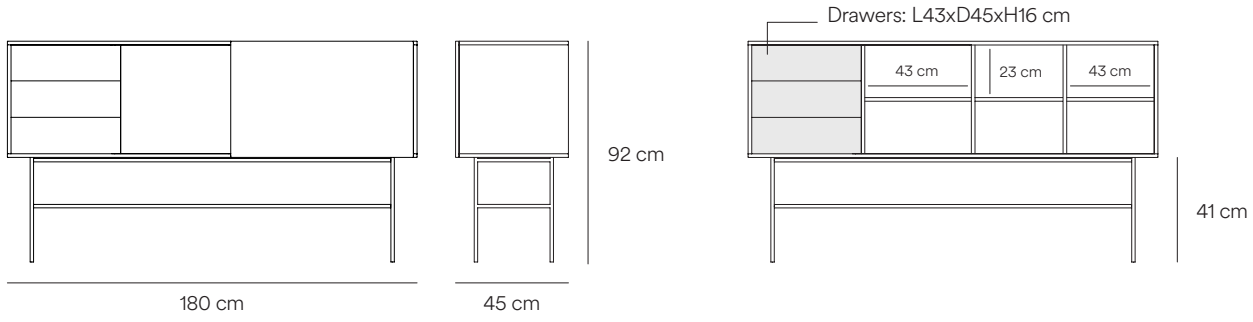
Nube by Cambres Design

Nube collection stands out for its unique and distinctive configuration thanks to its sliding door, which can be freely positioned to suit individual preferences.

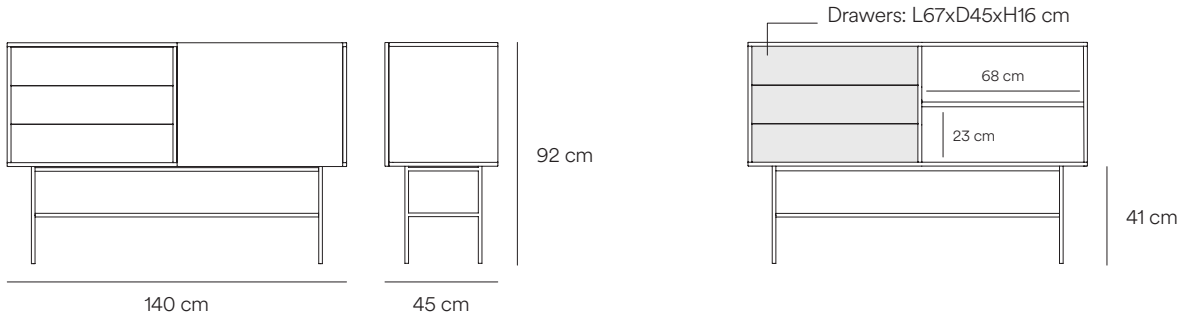
Teulat

Fact sheet

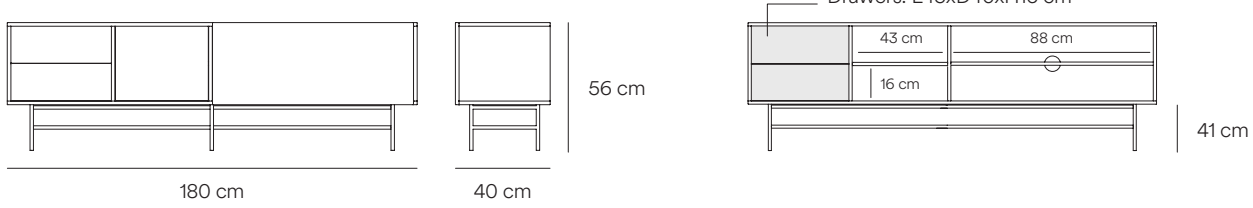
Sideboard 2D3Dr



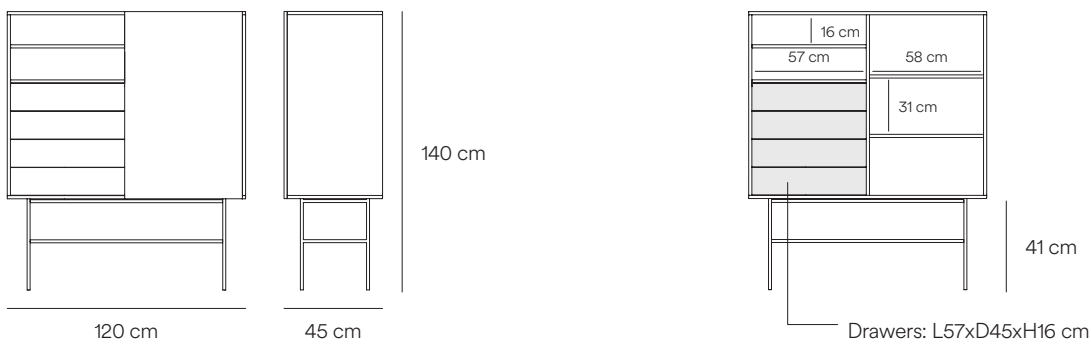
Sideboard 1D3Dr



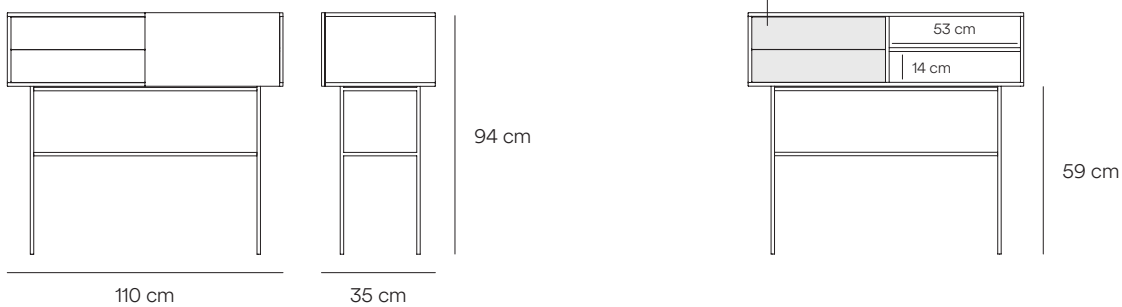
TV Bench 2D2Dr



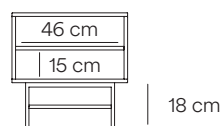
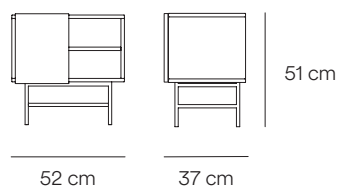
Cabinet 1D4Dr



Console 1D2Dr



Mesita de noche 1P

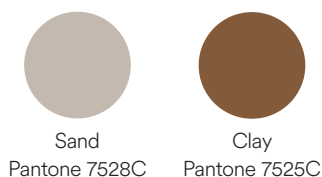


Finishes

Lacquered MDF body
Metal legs structure

Lacquered

Metals



References

Sideboard 2D3Dr

Black and anthracite gray: 17466_TE
Cream and sand: 17467_TE
Sand and clay: 17468_TE

Cabinet 1D4Dr

Black and anthracite gray: 17475_TE
Cream and sand: 17476_TE
Sand and clay: 17477_TE

Sideboard 1D3Dr

Black and anthracite gray: 17469_TE
Cream and sand: 17470_TE
Sand and clay: 17471_TE

Console 1D2Dr

Black and anthracite gray: 17478_TE
Cream and sand: 17479_TE
Sand and clay: 17480_TE

TV Bench 2D2Dr

Black and anthracite gray: 17472_TE
Cream and sand: 17473_TE
Sand and clay: 17474_TE

Bedside table 1D

Black and anthracite gray: 18619_TE
Cream and sand: 18618_TE
Sand and clay: 18617_TE

Share with us your home
[@teulatdesign](#)
[#teulat](#) [#teulateditions](#)

Teulat
C/Enlace Verola s/n,
46430, Sollana, Valencia - Spain
T. +34 96 116 30 05
info@teulat.es
ventas@teulat.es
sales@teulat.es
www.teulat.es
www.teulateditions.es

[instagram.com/teulatdesign](https://www.instagram.com/teulatdesign)
[facebook.com/teulatdesign](https://www.facebook.com/teulatdesign)
[linkedin.com/company/teulat](https://www.linkedin.com/company/teulat)
[pinterest.es/teulatdesign](https://www.pinterest.es/teulatdesign)