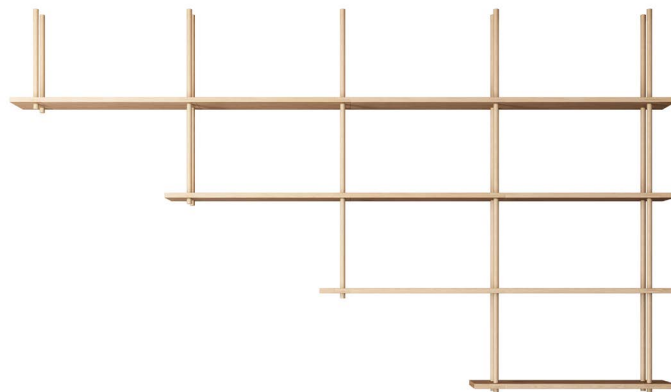


Bond SHELVING SYSTEM

Designed with MAIN

The award-winning *Bond* modular shelf system is flexible in nature – and designed to easily shape shift through house moves, life changes and a number of configurations.



DIMENSIONS

SEE DIMENSIONS CONNECTED TO LINEDRAWINGS

MATERIALS

FRAME	Solid oak, ash or walnut with metallic attachment system
LEGS	Solid oak, ash or walnut
SHELF	Solid oak, ash or walnut

SURFACES / COLORS



ASH



OAK



WALNUT



GRAPHIC



GREY



WHITE



MAIN BLUE



MAIN RED



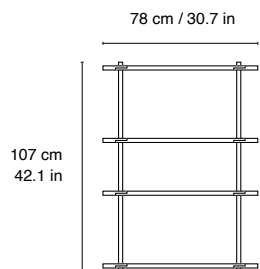
MAIN YELLOW

OTHER SPECIFICATIONS

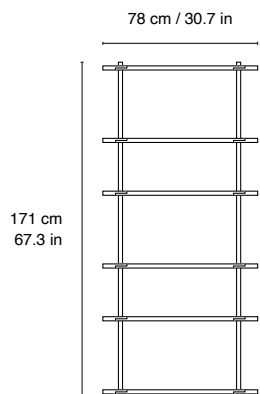
COUNTRY OF ORIGIN	Italy / Poland / Lithuania
--------------------------	----------------------------

BOND SHELVING SYSTEM

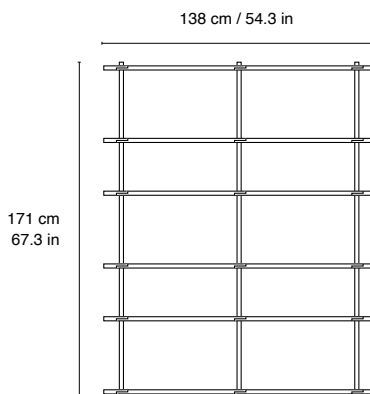
Bond Configuration W103
– Wall Mount



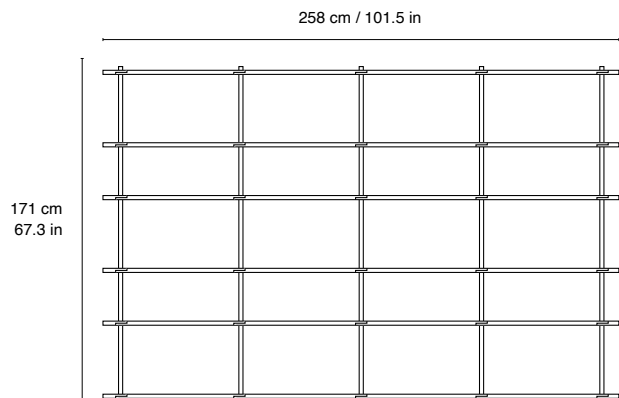
Bond Configuration W106
– Wall Mount



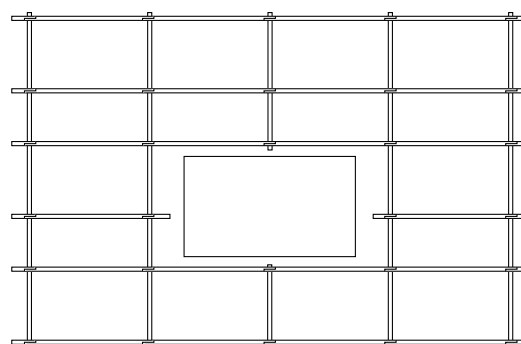
Bond Configuration W206
– Wall Mount



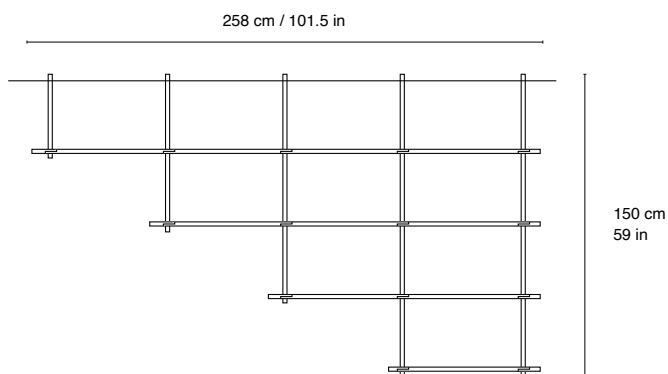
Bond Configuration W406 – Wall Mount



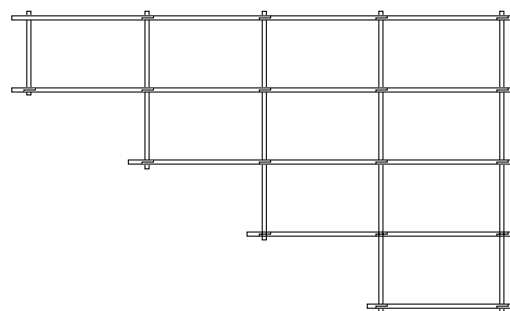
Bond Configuration W406D – Wall Mount



Bond Configuration FC4041 – Ceiling Mount



Bond Configuration W405 – Wall Mount



2 cm
0.7 in I

10 cm
3.9 in I

25 cm
9.8 in I

35 cm
13.7 in I

9 cm
3.5 in

60 cm
23.6 in
20 cm
7.8 in

BOND SHELVING SYSTEM

WARRANTY, CARE AND MAINTENANCE

More information on our website

SURFACE TREATMENT OVERVIEW

More information in our asset library