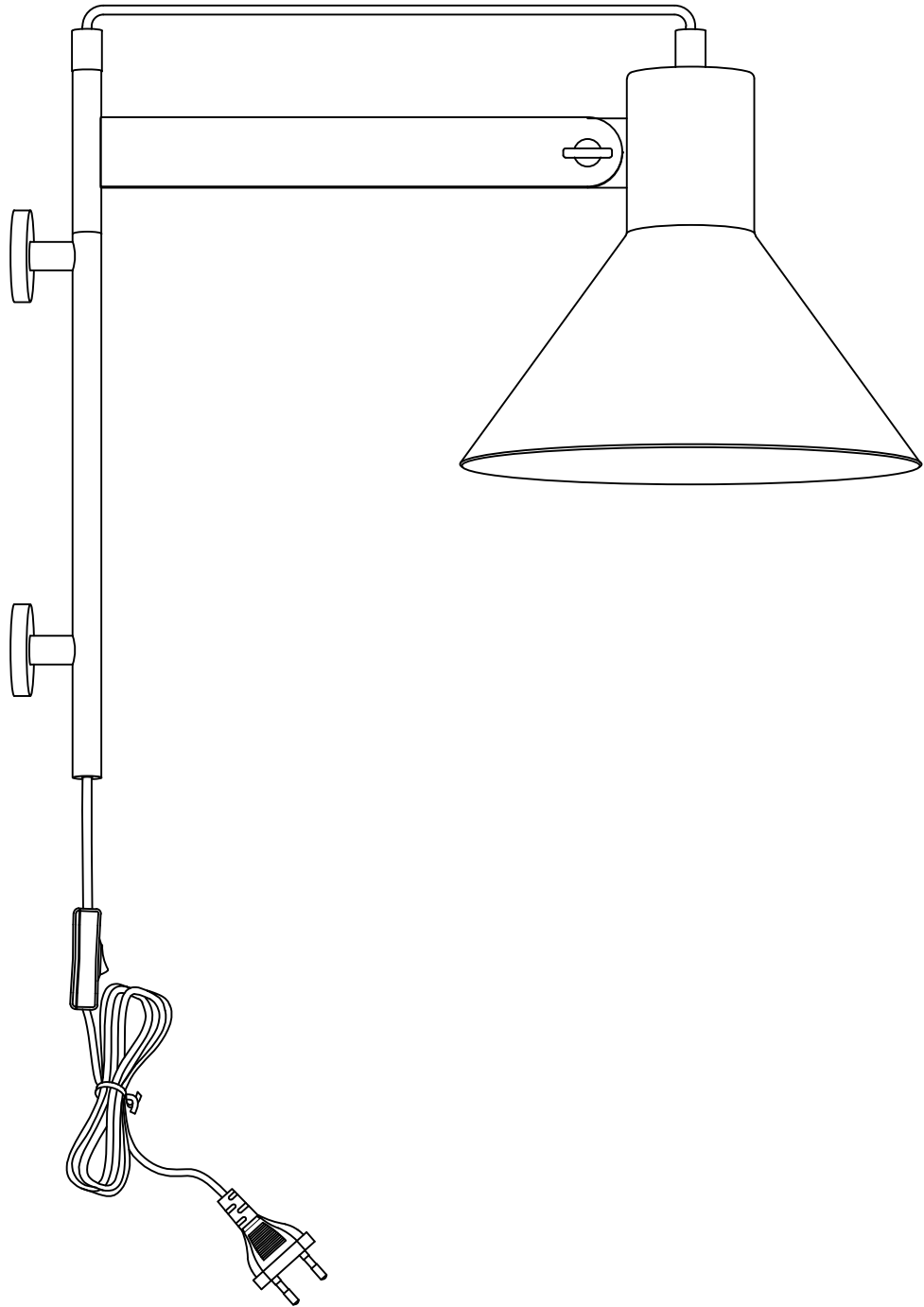
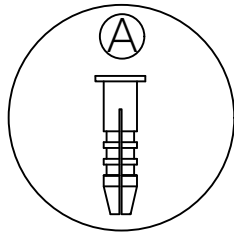
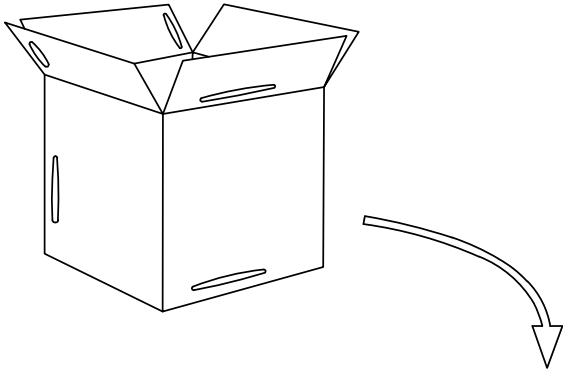


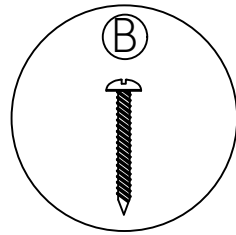
Studio Wall Lamp



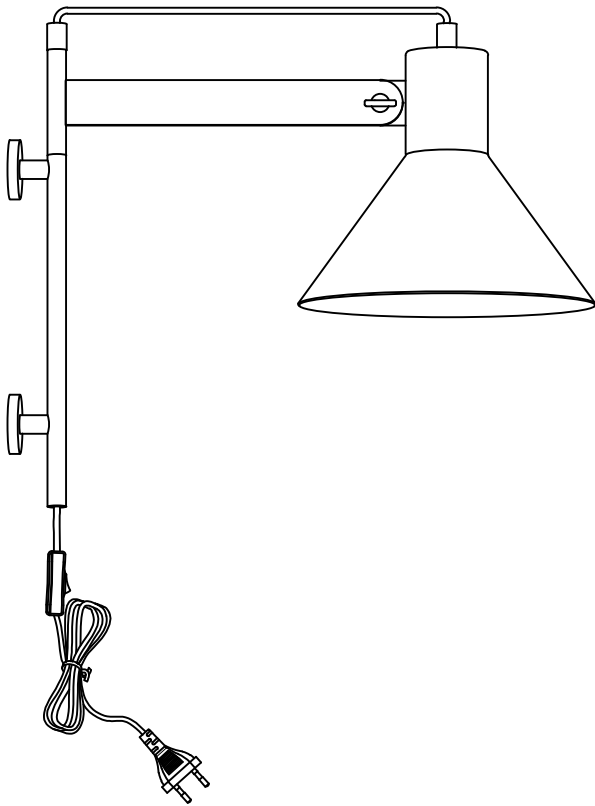
Hübsch
DANISH HOME INTERIOR & DESIGN



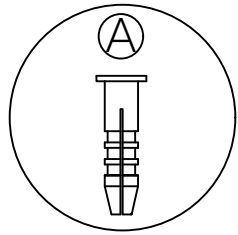
x 2



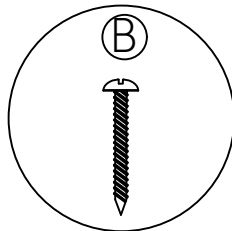
x 2



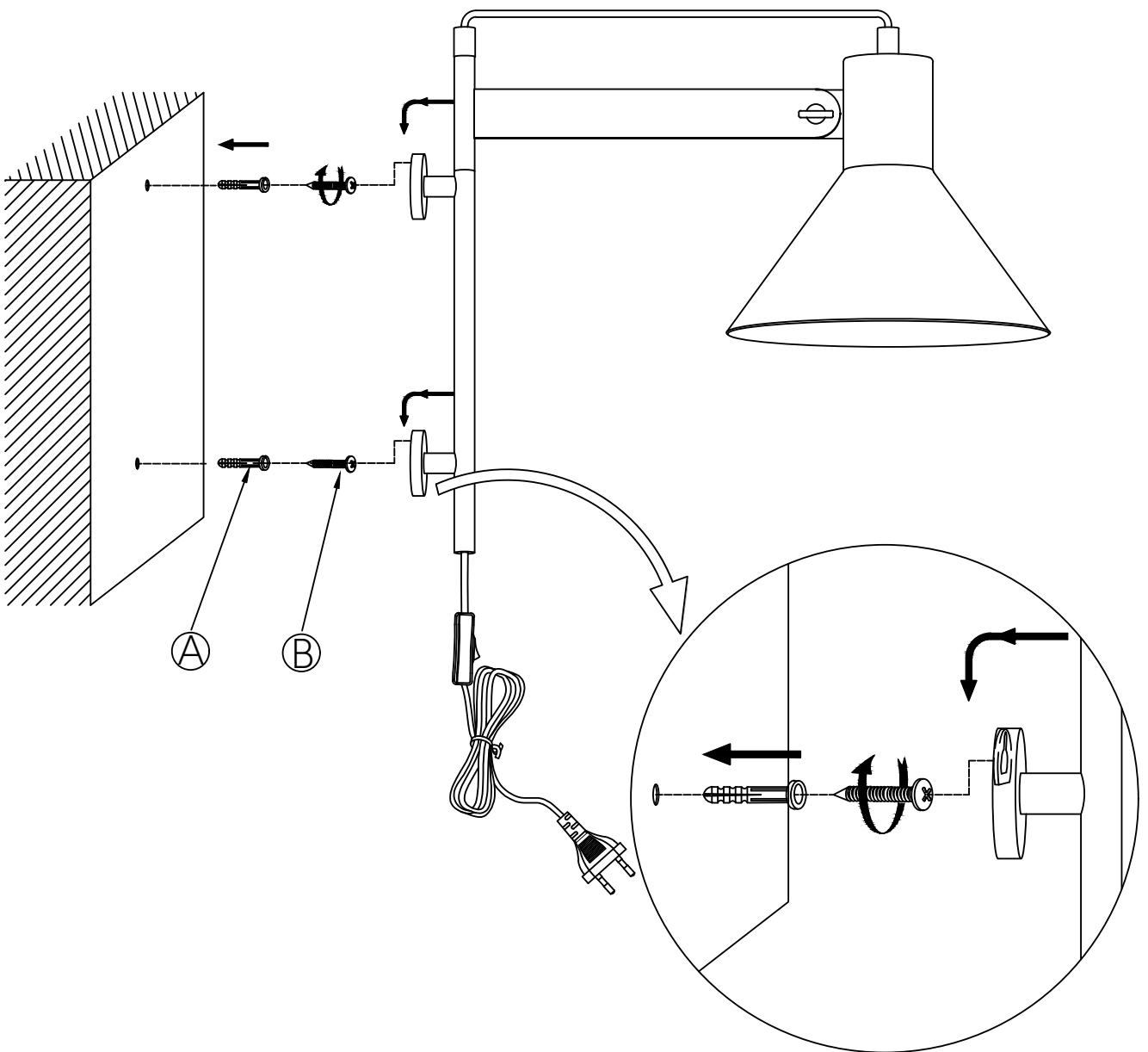
x 1

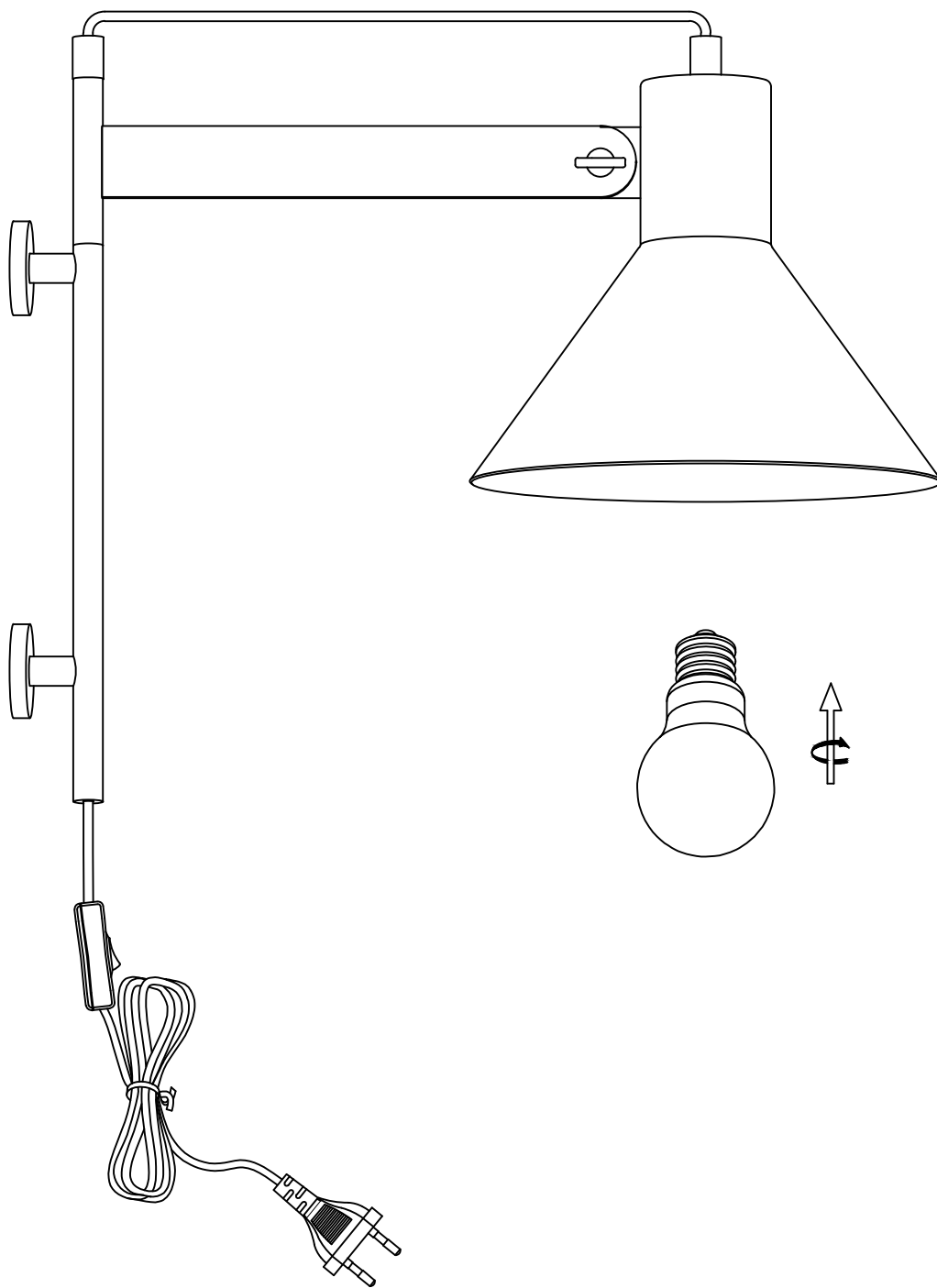


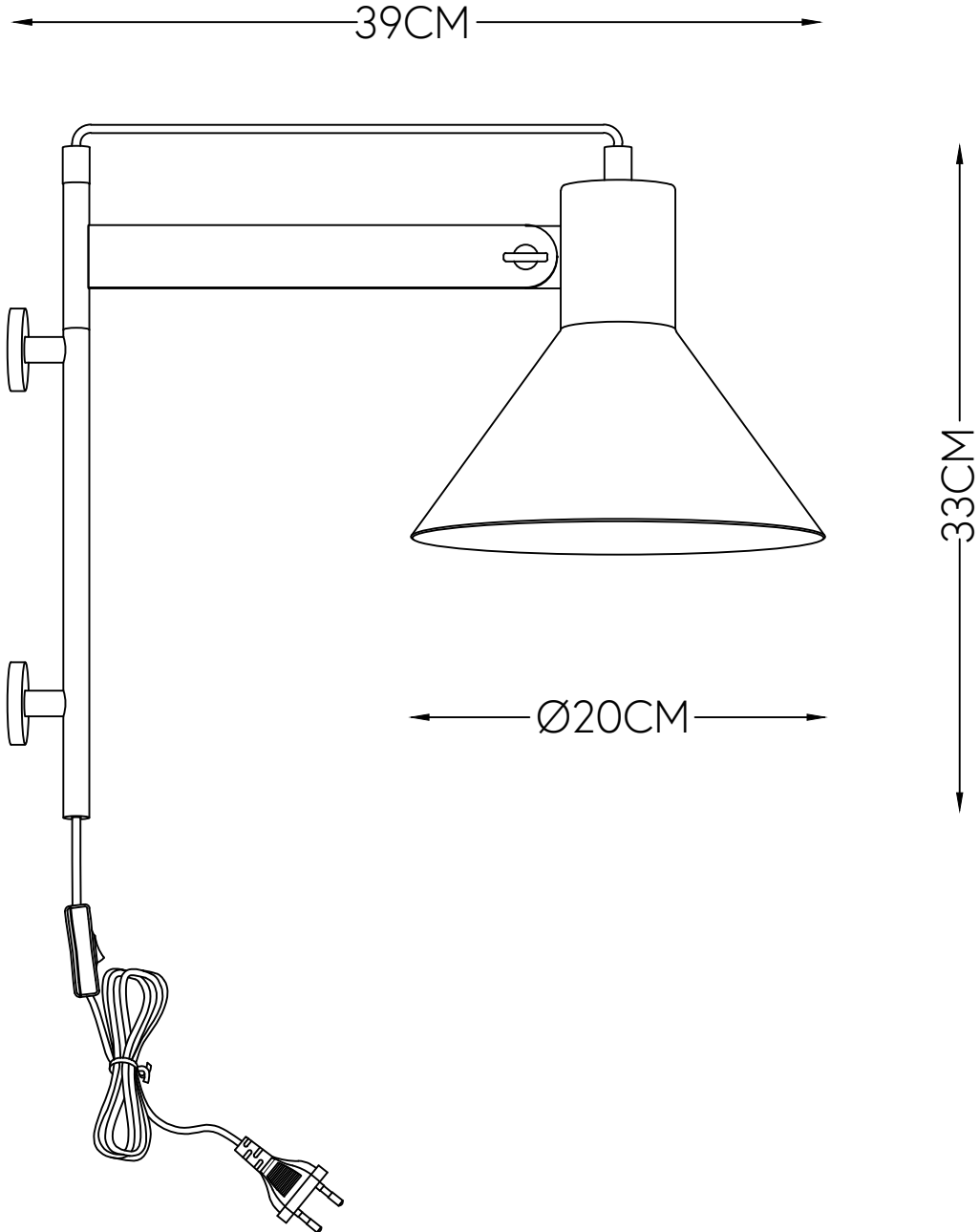
x 2



x 2





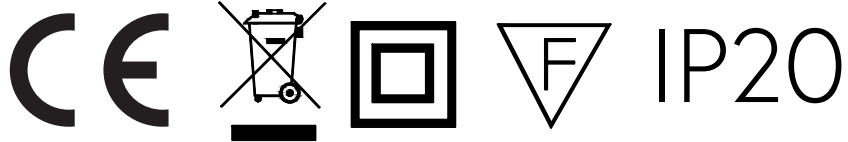


Model number:991509

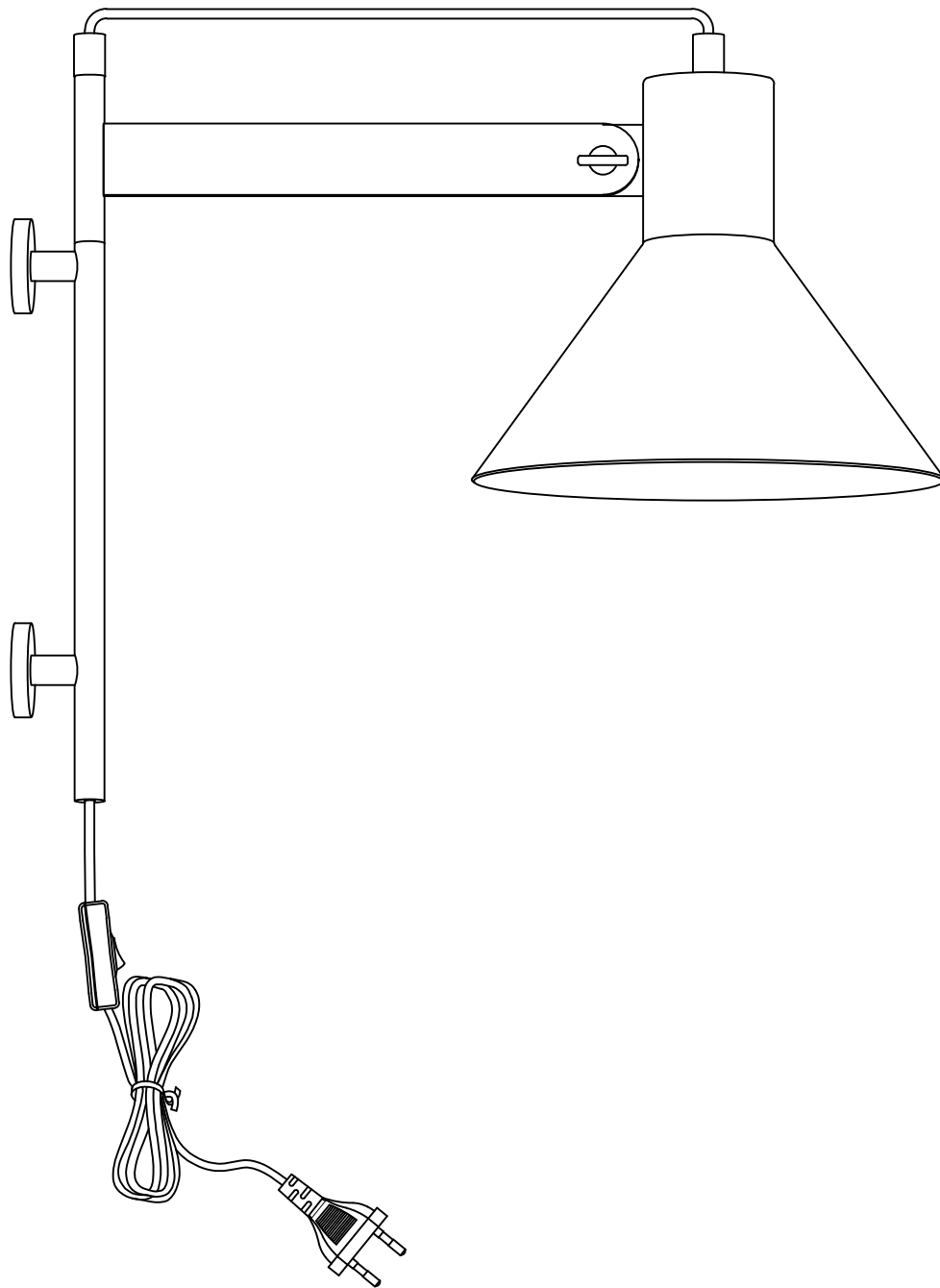
220-240V~50Hz

E27 MAX.15W LED Bulb

Hübsch A/S,Hi-Park 381,DK-7400 Herning



hubsch-interior.com



#myhubsch @hubschinterior

Hübsch
DANISH HOME INTERIOR & DESIGN