

# FLOS

F1862044 Anodized Champagne

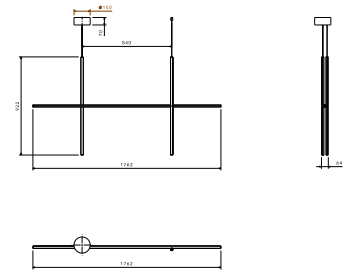
## Coordinates Suspension 2

Designed by Michael Anastassiades, 2020



55W - 2960lm - 2700K - CRI> 95

Coordinates is a lighting system with diffuse light composed of horizontal and vertical luminaires arranged in a bright grid of various shapes and complexities. Each element is made of extruded anodized aluminium with a champagne finish and a diffuser in platinum optical silicone with an integrated LED strip (CRI 95). Each element is powered and supported by an invisible electrical and mechanical connection designed specifically to allow for the composition of the 4 hanging models (S1, S2, S3, S4) with 2.4-m cables. The 'S Module' is also available. Its geometry was designed to be repeated to create large grids for custom installations. Each Coordinates configuration includes its own ceiling rose, whose integrated electronics allow for the use of different dimmer systems: push, 1-10, DALI. In the absence of these systems, the amount of light can be set during installation with the push system included in the rose. The related CI III version is also available for each configuration for installations with a remote power supply.



Are you a professional and your project needs consulting and support?

[BOOK AN APPOINTMENT](#)

### Main specifications

EAN	8059607001714
Mounting	Suspension
Environments	Indoor dry location
Light source type	LED
Light sources included	Yes
LED type	LED Module
Power (W)	55
Lumen Output (lm)	2960

### Physical

Colour	Anodized Champagne
Length (mm)	1760
Cord colour	Clear
Cord length (mm)	2400
Canopy colour	Anodized Champagne
Canopy length/diameter (mm)	149
Canopy height (mm)	71
Net weight (kg)	2.8
Package volume (m3)	0.03
IP internal	20

### Download

Mounting instructions [↓ PDF](#)

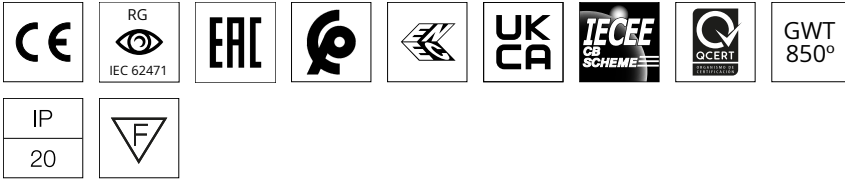
### Photometric Files

ULD [↓ ZIP](#)

### Technical Drawings

3D [↓ ZIP](#)

[Bim](#) [↓ ZIP](#)



## Photometric

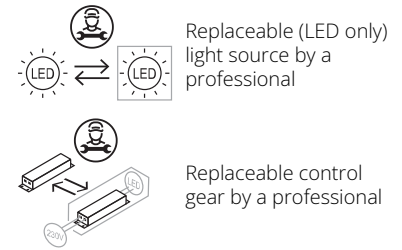
Lighting type	Total
Light distribution	Asymmetric
CCT (K)	2700
CRI>	95
Extreme cut off	No

## Electrical

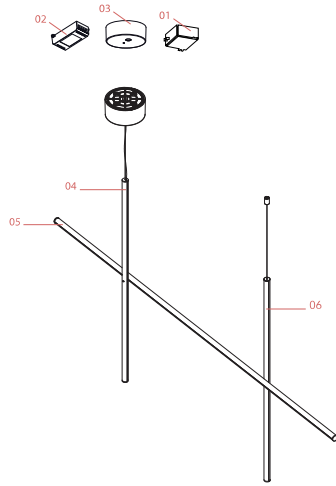
Insulation class	I
Frequency (Hz)	50/60
Main voltage (Vac)	120-240
Power supply	Integrated
Dimmable	Yes
Power supply type	Dimmable 0-10V, Dimmable 1-10V, Dimmable DALI 1, Dimmable Push
Dimming interface	Remote Dimmable (Dimmer Not Included)
Batteries inside	No

## Ecodesign and Energy Labelling

This product contains a light source of energy efficiency class F



## Spare Parts



- |     |   |           |
|-----|---|-----------|
| 00. | Push button and cables assembly for dimmer                          | RF27318   |
| 01. | Power supply kit for Arrangements small & Noctambule                | RF0410500 |
| 02. | Led dimmer kit  | RF34197   |
| 03. | Coordinates S Ceiling rose cover Anodized Champagne                 | RF1872144 |
| 04. | Coordinates Suspension 2 Rod Assembly L920 SA-19 Anodized Champagne | RF31442   |
| 05. | Coordinates Suspension 2 Rod Assembly L1760 H-21 Anodized Champagne | RF31444   |
| 06. | Coordinates Suspension 2 Rod Assembly L920 S-20 Anodized Champagne  | RF31443   |



RF27318  
Push button and cables assembly  
for dimmer



RF0410500  
Power supply kit for  
Arrangements small &  
Noctambule



RF34197  
Led dimmer kit



RF1872144  
Coordinates S Ceiling rose cover  
Anodized Champagne



RF31442  
Coordinates Suspension 2 Rod  
Assembly L920 SA-19 Anodized  
Champagne



RF31444  
Coordinates Suspension 2 Rod  
Assembly L1760 H-21 Anodized  
Champagne



RF31443  
Coordinates Suspension 2 Rod  
Assembly L920 S-20 Anodized  
Champagne