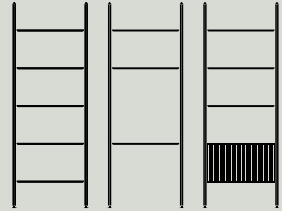


Instructions

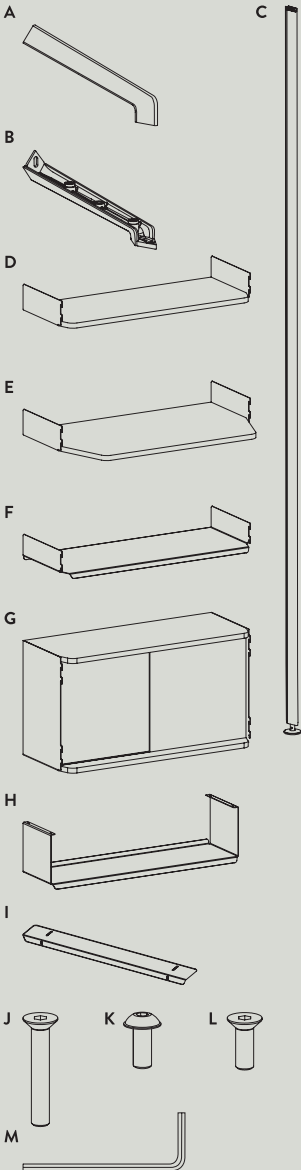
Rombe IF1-IF3 Industrial Facility 2025



Please read these instructions carefully and retain them for future reference to ensure the product is used correctly. For your own safety, please study each step of this instruction manual first. &Tradition is not responsible for any faults or damage caused by not following these instructions correctly. Do not modify this product in any way. If you have any questions or comments, please do not hesitate to contact us by mail on: info@andtradition.com

&Tradition[®]

Rombe IF1-IF3 Industrial Facility 2025



Safety precautions

- Keep the packaging out of reach of children.
- **WARNING!** Furniture tipping over can lead to serious or fatal crushing injuries. The product must be mounted to the wall using the mounts provided.
- Screws and plugs are not included to attach the wall mounts to the wall. Use suitable screws and plugs for your walls. Consult professional advice if in doubt.
- Ensure all components are securely attached.
- This product is intended for indoor use only.
- Two or more people are required to assemble this product.
- Do not put a TV on this product.
- Place heavier items on the lowest shelves.
- Maximum weight capacity is 15kg / 33lbs for the shelf, desk, cabinet top and cabinet shelf, and 10kg / 22lbs for the cabinet bottom.
- Handle with care as damaged edges or scratches can cause glass shelves to crack or break.

Contents

- A Top support cover
- B Top support
- C Upright
- D Wooden shelf*
- E Wooden desk*
- F Metal shelf*
- G Wooden cabinet*
- H Cabinet shelf*
- I Wall bracket
- J Countersunk head screw* (M5 x 20mm)
- K Pan head screw* (M5 x 12mm)
- L Countersunk head screw* (M5 x 14mm)
- M Allen key (3.0mm)

***Delivered content depends on chosen configuration.**

Tools needed

- Screwdriver
- Cordless drill
- Spirit level
- Drill bits**
- Wall plugs**
- Wall screws**

****Select appropriate fixings for your wall type i.e. plaster, concrete, brick, or wood.**

Cleaning instructions

Lacquered wood

For daily care, it is recommended to dust the surface with a soft, dry cloth. Regular cleaning can be done using a soft cloth wrung in lukewarm water. Dry immediately afterwards with a soft, dry cloth following the wood grain. For more severe cleaning, use a soap specifically developed for lacquered wood.

Avoid abrasive cleaning detergents and aggressive cleaning agents as they may damage the surface of the wood. To prolong the look and lifespan of lacquered wood, avoid placing in direct sunlight, excessive heat or humidity.

Powder-coated aluminium and steel

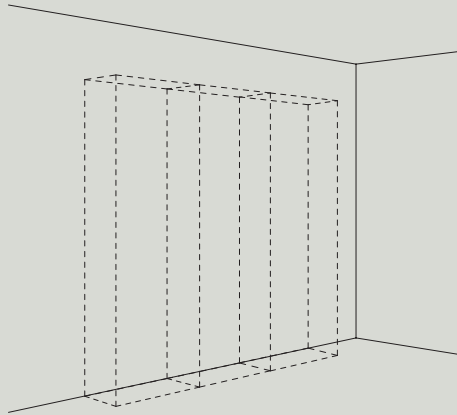
For daily care, it is recommended to dust the surface with a soft, dry cloth. Powder-coated surfaces can also be cleaned with a soft cloth wrung in a mild solution of lukewarm water and a universal cleaning detergent. Avoid abrasive cleaning agents or aggressive cleaning detergents as this may permanently damage the surface. Always dry immediately afterwards with a clean, dry cloth.

Glass

For daily care, it is recommended to dust the surface with a soft, dry cloth. Regular cleaning can be done using a soft cloth wrung in a mild solution of lukewarm water and a standard glass cleaning detergent. Dry immediately with a soft, dry lint-free cloth to avoid streaks or watermarks. Avoid abrasive cleaning agents as they can damage the surface of the glass.

Step 1 / 29

Before starting the assembly, ensure the area is prepared by clearing sufficient space for the unit and thoroughly cleaning any dirt and debris from both the floor and the wall.



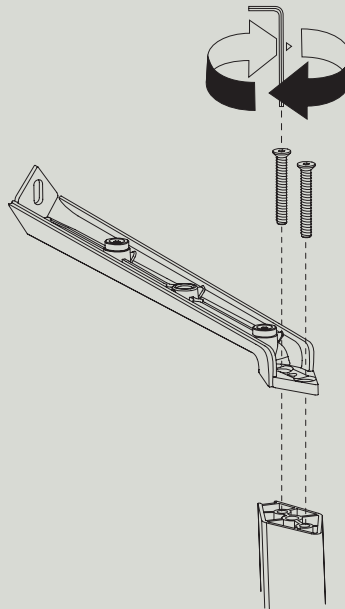
Step 2 / 29

Make sure to have an additional person to perform all tasks safely.



Step 3 / 29

Start the assembly by attaching the top support (B) to the upright (C) using the countersunk head screws (J) and allen key (M) provided. Repeat this step for every upright in your configuration.



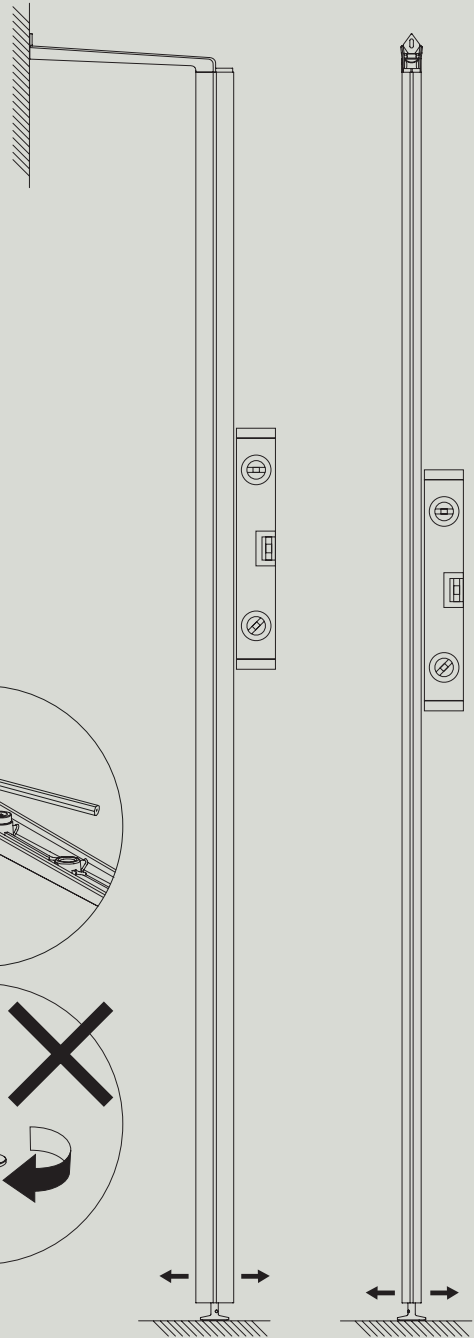
Step 4 / 29

Position the first upright on the wall in its designated location and use a spirit level to ensure it is level.

Mark the position of the top support for attachment.

IMPORTANT: If you plan to attach multiple bays, start with an upright in the center of the structure to ensure all sections can be leveled properly at a later step.

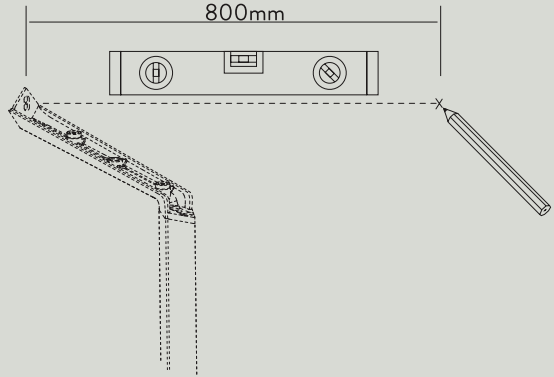
It is important to make sure that all the feet are set to the default height of 40mm.



Step 5 / 29

Use a spirit level to find the attachment points for the additional uprights.

Mark the positions of the holes with a distance of 800mm between them.

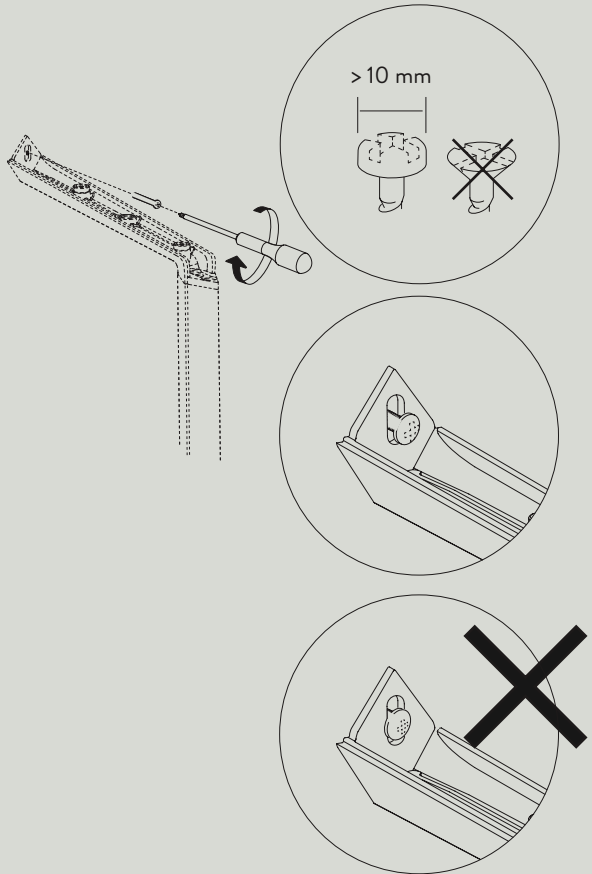


Step 6 / 29

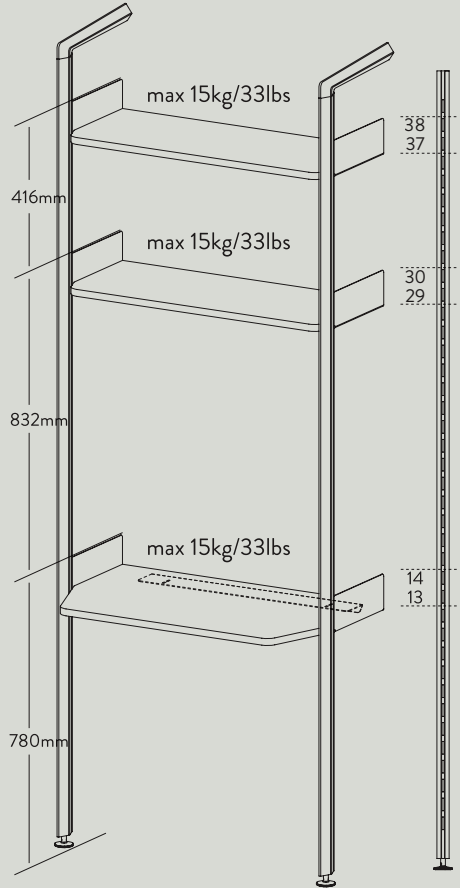
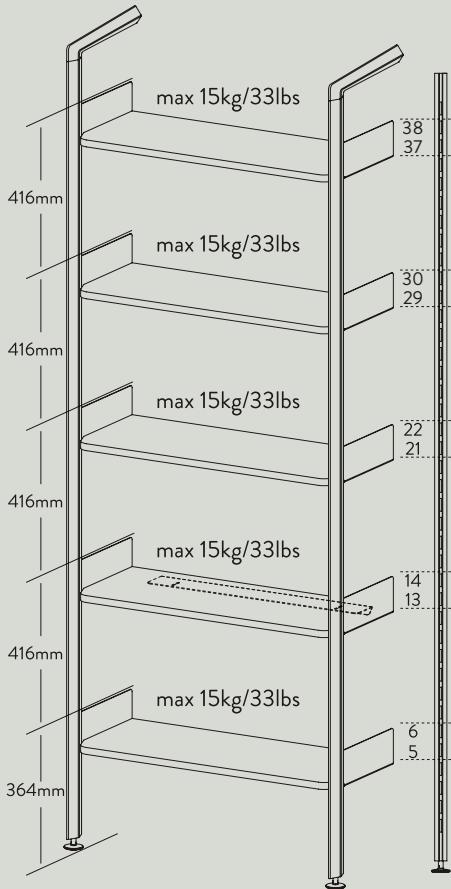
Loosely attach the first two uprights to the wall. Do not fully tighten the screws yet.

Use a pan head screw with a diameter of at least 10mm for the attachment.

IMPORTANT: Make sure that you use plugs suitable for your wall type. If in doubt, consult a professional to ensure the shelving system is securely attached to the wall.



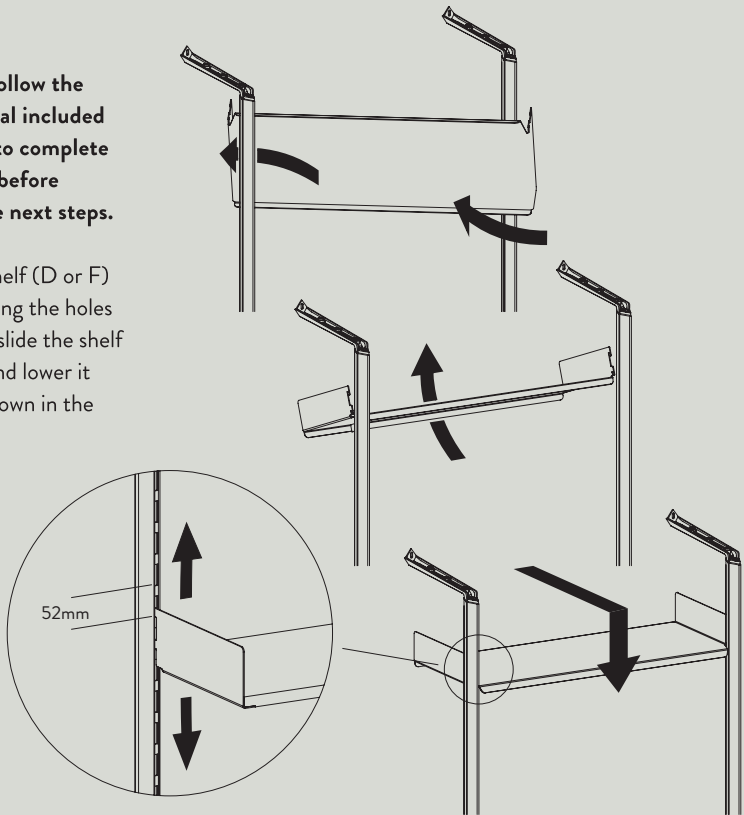
Configuration - IF1 & IF2



Step 7 / 29

IMPORTANT: Follow the instruction manual included with the shelves to complete the preassembly before proceeding to the next steps.

Attach the first shelf (D or F) to the uprights using the holes 37 and 38. Next, slide the shelf in from the side and lower it into position as shown in the illustration.

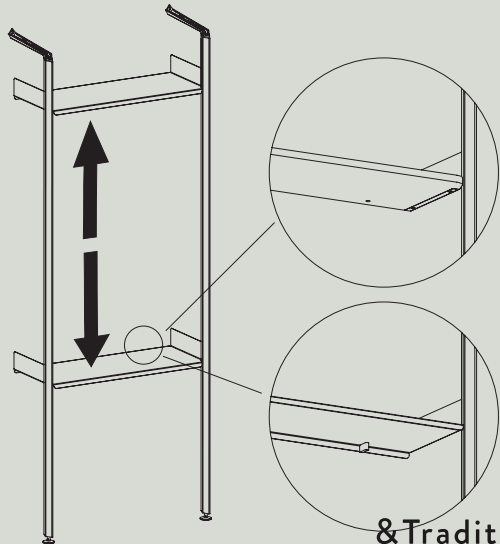


Step 8 / 29

Next, add the shelf or desk (D, E or F) using the holes 13 and 14.

IMPORTANT: If your configuration consists of metal shelves, select the shelf with the threaded insert on the underside.

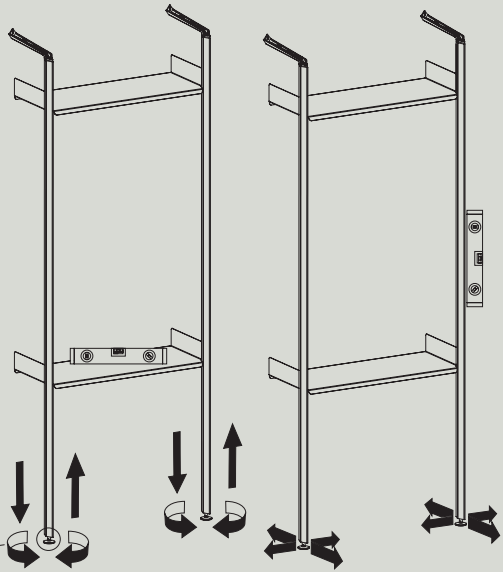
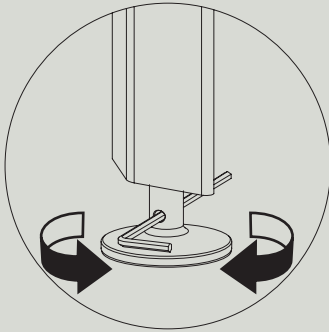
For wooden shelves or desks, select the component with the pre-drilled holes as this attachment point needs to be used later.



Step 9 / 29

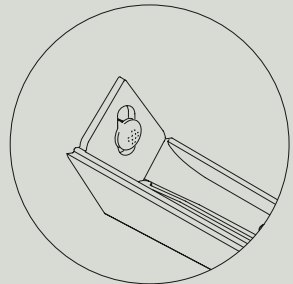
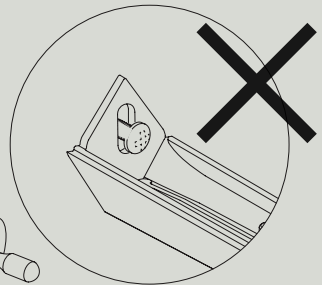
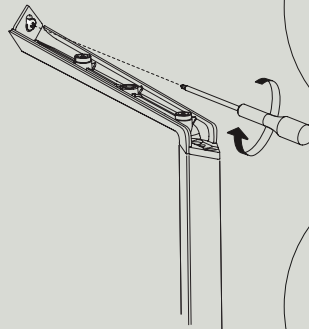
Before securing everything in place, ensure that all components are properly leveled.

IMPORTANT: Only use the allen key provided to adjust the height of the uprights by turning the feet.



Step 10 / 29

Once everything is in place, ensure the top support (B) is securely attached by tightening the screw.

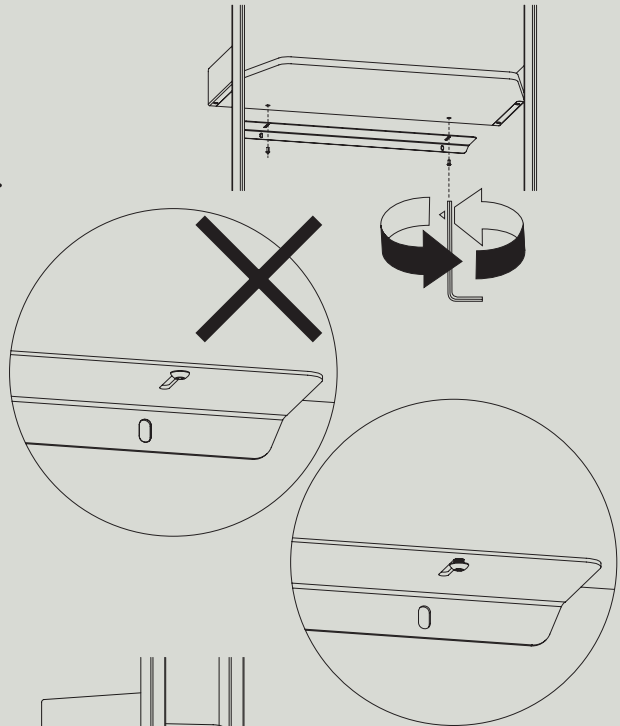


Step 11 / 29

IMPORTANT: Ensure the shelf or desk height meets your preferences before proceeding with the next step.

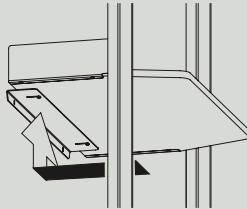
To add the wall bracket (I), use the attachment point underneath the lower shelf or desk using the pan head screws (K).

Do not fully tighten the screws just yet.



Step 12 / 29

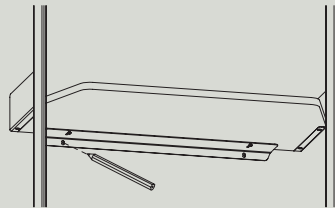
Push the wall bracket all the way back to meet the wall behind the unit and up against the shelf or desk component as illustrated.



Step 13 / 29

Mark the position of the additional wall fixtures.

Remove the wall bracket and the shelf or desk to create enough space for installing the wall plugs.

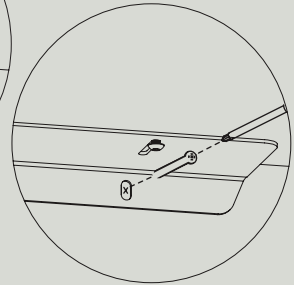
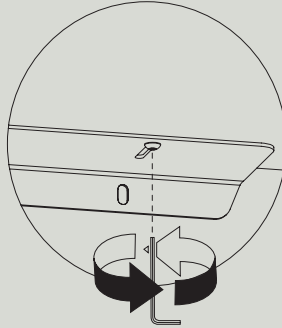
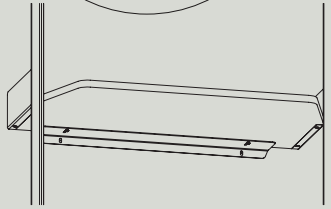
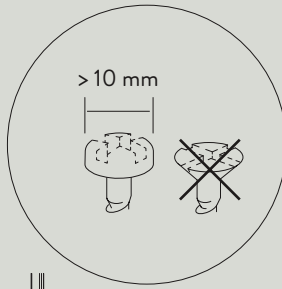


Step 14 / 29

Finally, fasten the connection of the wall bracket to the shelf or desk, and the wall.

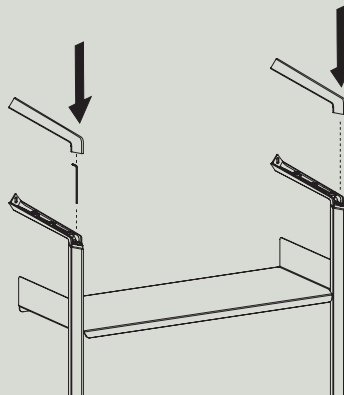
For the wall connection, use a pan head screw with a diameter of at least 10 mm.

IMPORTANT: Make sure that you use plugs suitable for your wall type. If in doubt, consult a professional to ensure the shelving system is securely attached to the wall.



Step 15 / 29

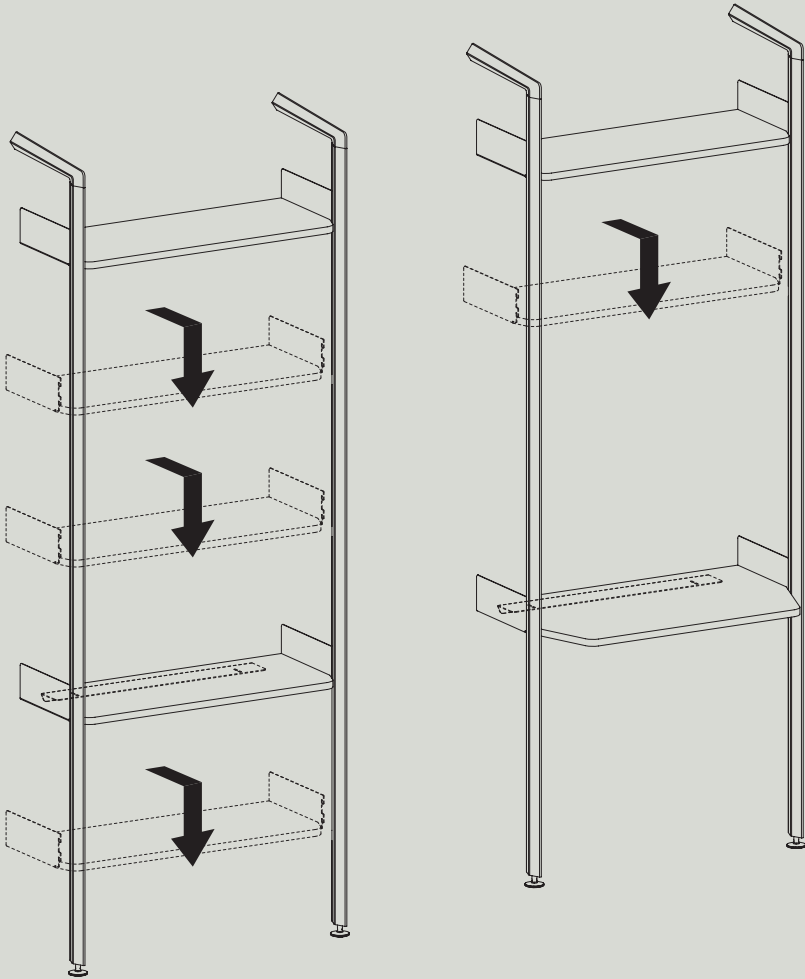
Once the previous steps are complete, place the top support covers (A) onto the top supports. Don't forget to store the allen key in the small pocket for easier access during future adjustments.



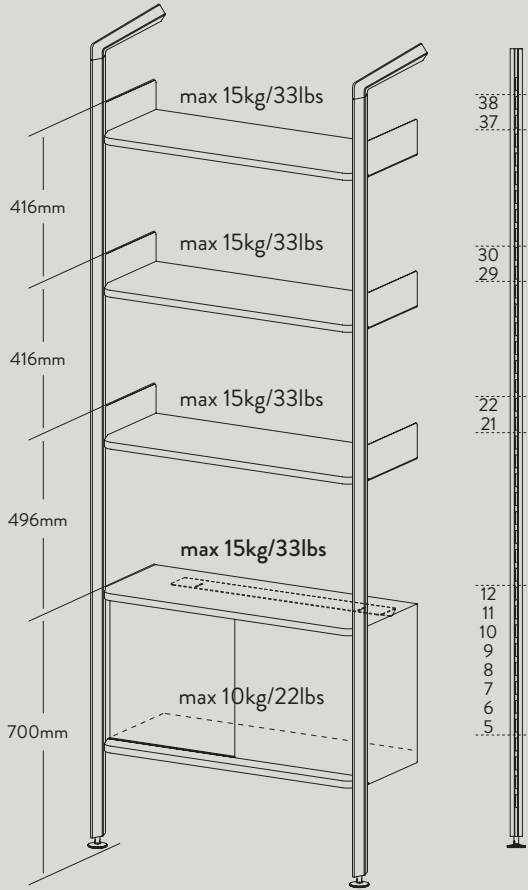
Step 16 / 29

Finish the assembly by adding the additional shelves according to your configuration.

See two examples below.



Configuration - IF3

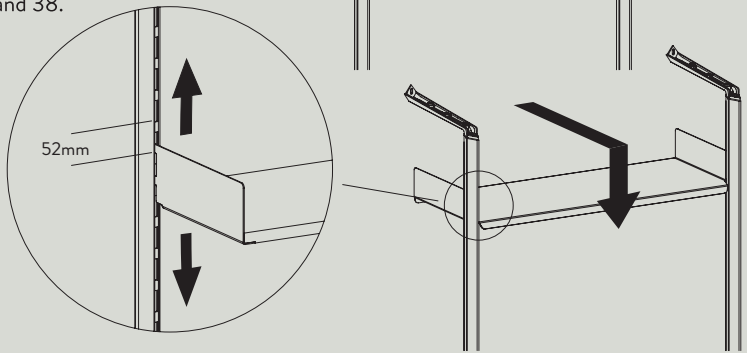


Step 17 / 29

IMPORTANT: Follow the instruction manual included with the shelves to complete the preassembly before proceeding to the next steps.

Attach the first shelf (D or F) to the uprights using the holes 37 and 38. Next, slide the shelf in from the side and lower it into position as shown in the illustration.

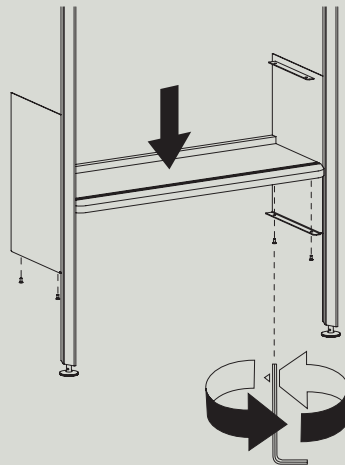
Use the holes 37 and 38.



Step 18 / 29

Hook the side panels of the cabinet (G) into holes 5 to 12. Then, place the bottom plate of the cabinet carefully on top of the lids at the bottom of each side panel.

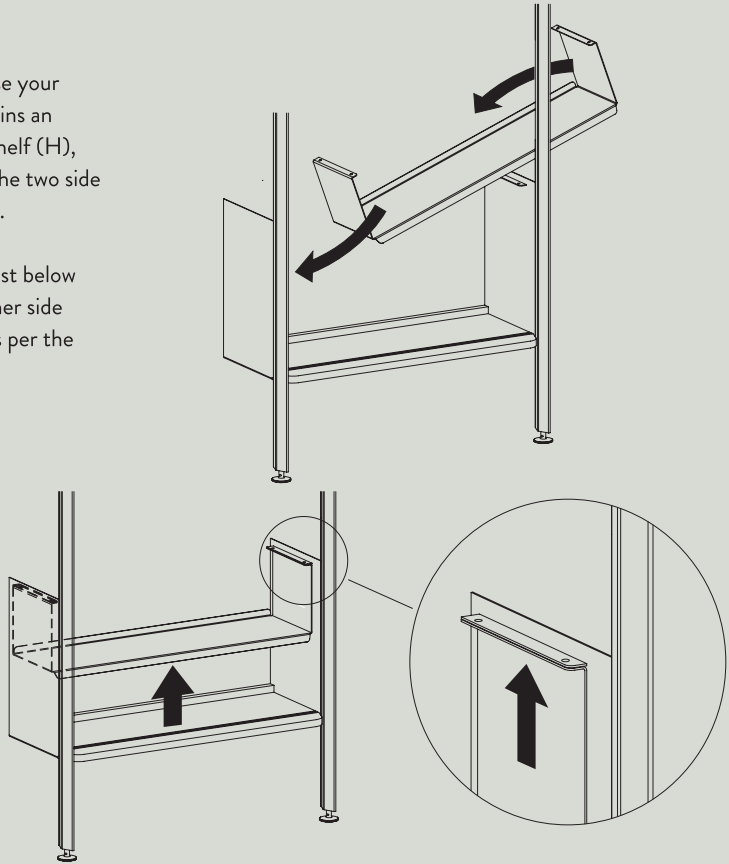
Secure into place with the countersunk head screws (L) provided from below as pictured.



Step 19 / 29

OPTIONAL: In case your configuration contains an additional cabinet shelf (H), slide it in between the two side panels from the top.

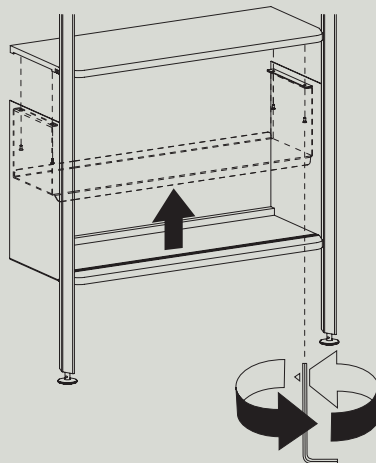
Position the shelf just below the brackets on either side of the side panels as per the illustration.



Step 20 / 29

Continue to attach the cabinet top by resting it on top of the side panels.

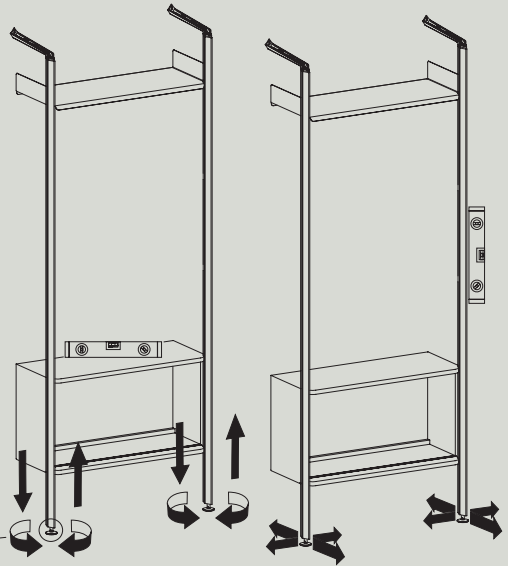
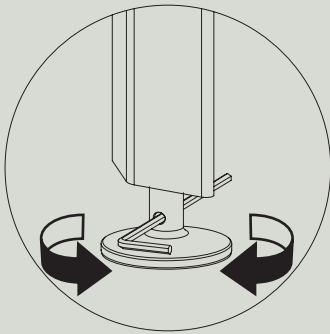
Secure in place with countersunk head screws (L) from below as pictured to secure both the cabinet shelf and cabinet top in place.



Step 21 / 29

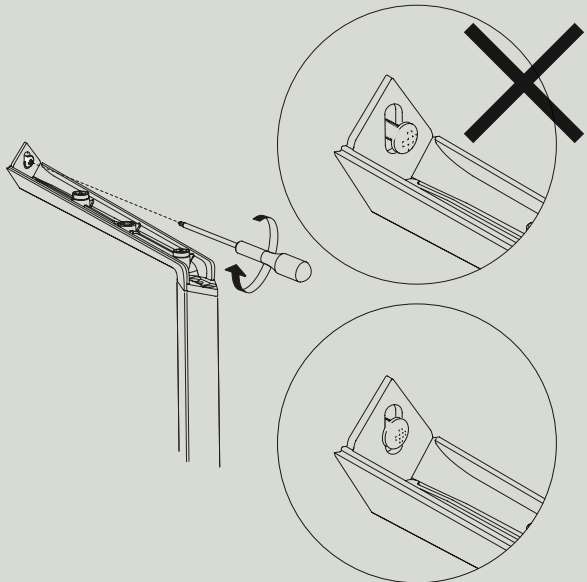
Before securing everything in place, ensure that all components are properly leveled.

IMPORTANT: Only use the allen key provided to adjust the height of the uprights by turning the feet.



Step 22 / 29

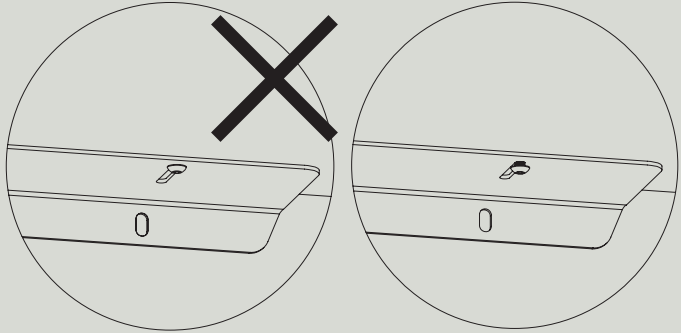
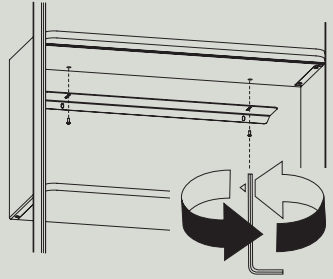
Once everything is in place, ensure the top support is securely attached by tightening the screw.



Step 23 / 29

To add the wall bracket (I), use the attachment point underneath the cabinet top using the pan head screws (K).

Do not fully tighten the screws just yet.

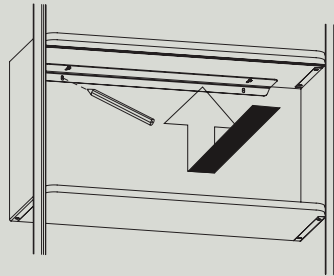


Step 24 / 29

Push the wall bracket all the way back to meet the wall behind the unit and up against the underside of the cabinet top.

Mark the position of the additional wall fixtures.

Remove the bracket and, if necessary, the cabinet top to create enough space to install the wall attachments.

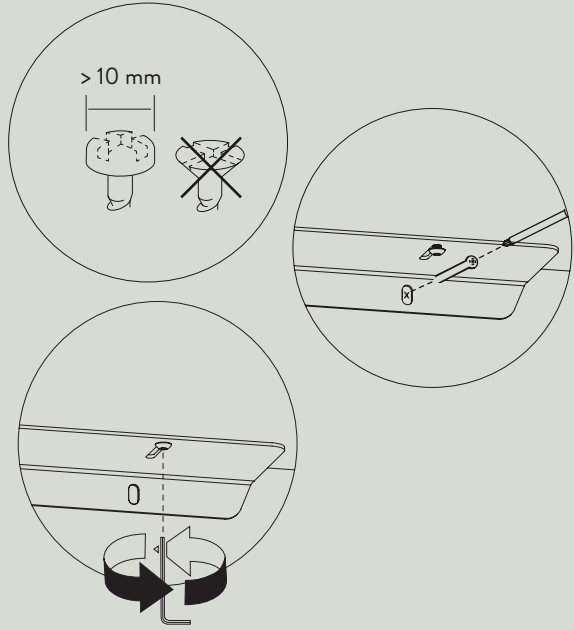


Step 25 / 29

Fasten the connection between the shelf, table, or cabinet, and the wall.

For the wall connection, use a pan head screw with a diameter of at least 10mm for the attachment.

IMPORTANT: Make sure that you use plugs suitable for your wall type. If in doubt, consult a professional to ensure the shelving system is securely attached to the wall.



Step 26 / 29

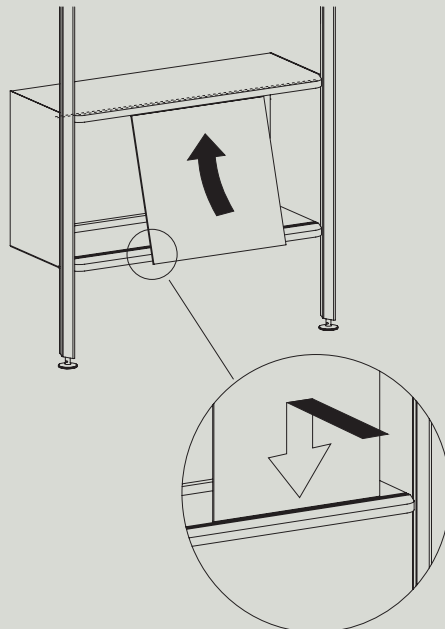
Finally, add the glass doors to the cabinet.

Start by inserting the first glass panel into the top rail and gently push it all the way up. Then, place the bottom edge above the bottom rail and carefully lower the glass panel into place.

Repeat this step for the second panel using the other rail.

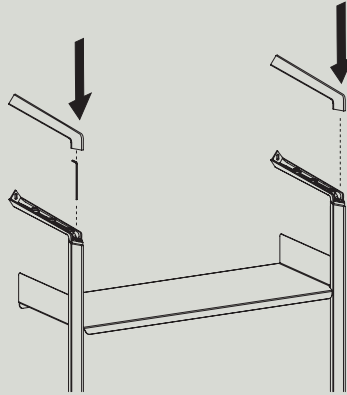
IMPORTANT: Handle with care as damaged edges or scratches can cause glass shelves to crack or break.

Make sure all screws for the cabinet are tightened firmly.



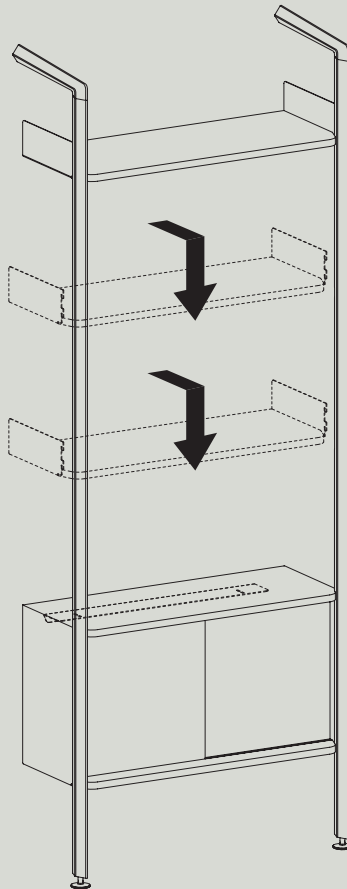
Step 27 / 29

Once the previous steps are complete, place the top support covers (A) onto the top supports. Don't forget to store the allen key in the small pocket for easier access during future adjustments.



Step 28 / 29

Finish the assembly by adding additional shelves according to your configuration as per the illustration below.



Step 29 / 29

If you are continuing to add additional bays, please repeat the steps above to finalise your Rombe system.

See example below.

