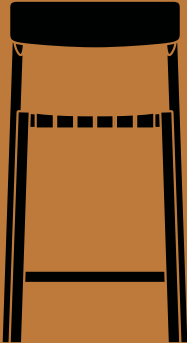


& Tradition

Betty^{TK12-TK17}

Thau & Kallio

2025





H: 93,9 cm / 36,96 in
Seat H: 64,7 cm / 25,47 in

W: 47,7 cm / 18,78 in

D: 45 cm / 17,72 in. Seat D: 42 cm / 16,54 in.

Betty^{TK12}

Thau & Kallio

2025

Product description

Counter chair

Environment

Indoor

Material

Water based lacquered or oiled solid wood & formpressed veneer with linen and PP webbing.

Production process

The chair is made from water-based lacquered or oil treated solid wood and form-pressed veneer. The linen seat is webbed by hand.

Variants

Black w. black webbing
Black w. natural webbing
Oak w. natural webbing
Smoked Oiled Oak w. natural webbing

Dimensions

H: 93,9 cm / 36,96 in
W: 47,7 cm / 18,78 in
D: 45 cm / 17,72 in
Seat H: 64,7 cm / 25,47 in
Seat D: 42 cm / 16,54 in

Weight

4,6 kg

Strength, durability and safety testing

EN 16139 Level 2 (Seating)

Certifications



FSC® Mix 70%

Gliders

Plastic gliders as standard

Impact

- Made using FSC® certified wood, supporting responsible management of the world's forests.
- Made in a factory powered by certified renewable energy.
- Designed for disassembly, making it easier to repair, renovate and responsibly recycle at end-of-life.
- Uses linen, a natural and renewable textile that is extremely durable and friction resistant.

Manufacturer

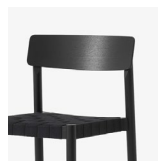
Produced in Latvia by Kvist Industries A/S.

Cleaning Instructions

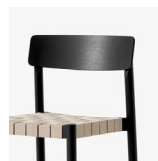
Please see our [Maintenance & Care instructions here](#)

→ Stock items

Available in stock



→ Black w. black webbing



→ Black w. natural webbing



→ Oak w. natural webbing



→ Smoked oiled oak w. natural webbing



W: 47.7 cm / 18.78 in

D: 45 cm / 17.72 in. Seat D: 42 cm / 16.54 in.

H: 93.9 cm / 36.96 in
Seat H: 64.7 cm / 25.47 in

Betty^{TK13}

Thau & Kallio

2025

Product description

Counter chair

Environment

Indoor

Material

Water-based lacquered or oiled solid wood and form-pressed veneer. This product has not been treated with any biocides.

Production process

The chair is made from water-based lacquered or oil treated solid wood and form-pressed veneer.

Variants

Black

Oak

Smoked Oiled Oak

Dimensions

H: 93.9 cm / 36.96 in

W: 47.7 cm / 18.78 in

D: 45 cm / 17.72 in

Seat H: 64.7 cm / 25.47 in

Seat D: 42 cm / 16.54 in

Weight

5.1

Strength, durability and safety testing

EN 16139 Level 2 (Seating)

Certifications



FSC® Mix 70%

Gliders

Plastic gliders as standard

Impact

- Made using FSC® certified wood, supporting responsible management of the world's forests.
- Made in a factory powered by certified renewable energy.
- Designed for disassembly, making it easier to repair, renovate and responsibly recycle at end-of-life.

Manufacturer

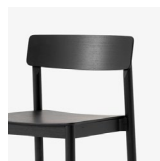
Produced in Latvia by Kvist Industries A/S.

Cleaning Instructions

[Please see our Maintenance & Care instructions here](#)

→ Stock items

Available in stock



→ Black



→ Oak



→ Smoked oiled oak



W: 47.7 cm / 18.78 in
D: 45 cm / 17.72 in. Seat D: 42 cm / 16.54 in.

H: 93.9 cm / 36.96 in
Seat H: 64.7 cm / 25.47 in

Betty^{TK14}

Thau & Kallio

2025

Product description

Counter chair

Environment

Indoor

Material

Water-based lacquered or oiled solid wood and form-pressed veneer with upholstered HR foam seat. This product has not been treated with any biocides.

Production process

The chair is made from water-based lacquered or oil treated solid wood and form-pressed veneer. For superior comfort the seat is covered with HR foam and upholstery.

Variants

Black w. Noble Aniline leather black
Oak w. Noble Aniline leather cognac
Smoked Oiled Oak w. Noble Aniline leather black

COM - Material Consumption

Fabric usage: 0.48 meters based on 140 cm roll.
Leather usage: 0.34 meters based on 140 cm roll.
COM must be approved by &Tradition to ensure suitability for upholstery.

Dimensions

H: 93.9 cm / 36.96 in
W: 47.7 cm / 18.78 in
D: 45 cm / 17.72 in
Seat H: 64.7 cm / 25.47 in
Seat D: 42 cm / 16.54 in

Weight

6 kg

Strength, durability and safety testing

EN 16139 Level 2 (Seating)

Certifications



FSC® Mix 70%

Gliders

Plastic gliders as standard

Impact

- Made using FSC® certified wood, supporting responsible management of the world's forests.
- Made in a factory powered by certified renewable energy.
- Uses certified low emission upholstery foam, ensuring it does not contain harmful chemicals that may pollute indoor air.
- Designed for disassembly, making it easier to repair, renovate and responsibly recycle at end-of-life.
- Available with EU Ecolabel certified top fabrics, ensuring low emissions of polluting chemicals and high workplace standards.



→ Black w. Noble Aniline leather black



→ Oak w. Noble Aniline leather cognac



→ Smoked Oiled Oak w. Noble Aniline leather black

Manufacturer

Produced in Latvia by Kvist Industries A/S.

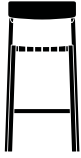
Cleaning Instructions

[Please see our Maintenance & Care instructions here](#)

→ Stock items

Available in stock

&Tradition®



H: 93.9 cm / 36.96 in
Seat H: 64.7 cm / 25.47 in

W: 47.7 cm / 18.78 in

D: 45 cm / 17.72 in. Seat D: 42 cm / 16.54 in.

Betty^{TK15}

Thau & Kallio

2025

Product description

Bar chair

Environment

Indoor

Material

Water-based lacquered or oiled solid wood and form-pressed veneer with linen and PP webbing.

Production process

The chair is made from water-based lacquered or oil treated solid wood and form-pressed veneer. The linen seat is webbed by hand.

Variants

Black w. black webbing
Black w. natural webbing
Oak w. natural webbing
Smoked Oiled Oak w. natural webbing

Dimensions

H: 103.9 cm / 40.91 in

W: 47.9 cm / 18.86 in

D: 45.3 cm / 17.83 in

Seat H: 74.7 cm / 29.41 in

Seat D: 42 cm / 16.54 in

Weight

5.3 kg

Strength, durability and safety testing

EN 16139 Level 2 (Seating)

Certifications



FSC® Mix 70%

Gliders

Plastic gliders as standard

Impact

- Made using FSC® certified wood, supporting responsible management of the world's forests.
- Made in a factory powered by certified renewable energy.
- Designed for disassembly, making it easier to repair, renovate and responsibly recycle at end-of-life.
- Uses linen, a natural and renewable textile that is extremely durable and friction resistant.

Manufacturer

Produced in Latvia by Kvist Industries A/S.

Cleaning Instructions

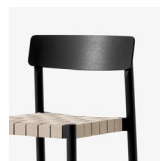
[Please see our Maintenance & Care instructions here](#)

→ Stock items

Available in stock



→ Black w. black webbing



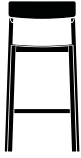
→ Black w. natural webbing



→ Oak w. natural webbing



→ Smoked oiled oak w. natural webbing



H: 93.9 cm / 36.96 in
Seat H: 64.7 cm / 25.47 in

W: 47.7 cm / 18.78 in

D: 45 cm / 17.72 in. Seat D: 42 cm / 16.54 in.

Betty^{TK16}

Thau & Kallio

2025

Product description

Bar chair

Environment

Indoor

Material

Water-based lacquered or oiled solid wood and form-pressed veneer. This product has not been treated with any biocides.

Production process

The chair is made from water-based lacquered or oil treated solid wood and form-pressed veneer.

Variants

Black

Oak

Smoked Oiled Oak

Dimensions

H: 103.9 cm / 40.91 in

W: 47.9 cm / 18.86 in

D: 45.3 cm / 17.83 in

Seat H: 74.7 cm / 29.41 in

Seat D: 42 cm / 16.54 in

Weight

5.8 kg

Strength, durability and safety testing

EN 16139 Level 2 (Seating)

Certifications



FSC® Mix 70%

Gliders

Plastic gliders as standard

Impact

- Made using FSC® certified wood, supporting responsible management of the world's forests.
- Made in a factory powered by certified renewable energy.
- Designed for disassembly, making it easier to repair, renovate and responsibly recycle at end-of-life.

Manufacturer

Produced in Latvia by Kvist Industries A/S.

Cleaning Instructions

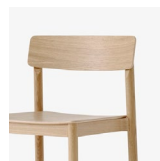
[Please see our Maintenance & Care instructions here](#)

→ Stock items

Available in stock



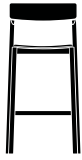
→ Black



→ Oak



→ Smoked oiled oak



H: 93.9 cm / 36.96 in
Seat H: 64.7 cm / 25.47 in

W: 47.7 cm / 18.78 in

D: 45 cm / 17.72 in. Seat D: 42 cm / 16.54 in.

Betty^{TK17}

Thau & Kallio

2025

Product description

Bar chair

Environment

Indoor

Material

Water-based lacquered or oiled solid wood and form-pressed veneer with linen and PP webbing.

Production process

The chair is made from water-based lacquered or oil treated solid wood and form-pressed veneer. For superior comfort the seat is covered with HR foam and upholstery.

Variants

Black w. Noble Aniline leather black
Oak w. Noble Aniline leather cognac
Smoked Oiled Oak w. Noble Aniline leather black

COM - Material Consumptoin

Fabric usage: 0.48 meters based on 140 cm roll.
Leather usage: 0.34 meters based on 140 cm roll.
COM must be approved by &Tradition to ensure suitability for upholstery.

Dimensions

H: 103.9 cm / 40.91 in
W: 47.9 cm / 18.86 in
D: 45.3 cm / 17.83 in
Seat H: 74.7 cm / 29.41 in
Seat D: 42 cm / 16.54 in

Weight

6.7 kg

Strength, durability and safety testing

EN 16139 Level 2 (Seating)

Certifications



FSC® Mix 70%

Gliders

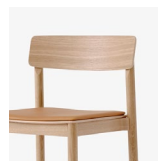
Plastic gliders as standard

Impact

- Made using FSC® certified wood, supporting responsible management of the world's forests.
- Made in a factory powered by certified renewable energy.
- Uses certified low emission upholstery foam, ensuring it does not contain harmful chemicals that may pollute indoor air.
- Designed for disassembly, making it easier to repair, renovate and responsibly recycle at end-of-life.
- Available with EU Ecolabel certified top fabrics, ensuring low emissions of polluting chemicals and high workplace standards.



→ Black w. Noble Aniline leather black



→ Oak w. Noble Aniline leather cognac



→ Smoked Oiled Oak w. Noble Aniline leather black

Manufacturer

Produced in Latvia by Kvist Industries A/S.

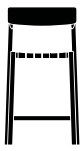
Cleaning Instructions

[Please see our Maintenance & Care instructions here](#)

→ Stock items

Available in stock

&Tradition®



TK12



TK15

Recycling & Disassembly

Betty TK12 & TK15

Recycling

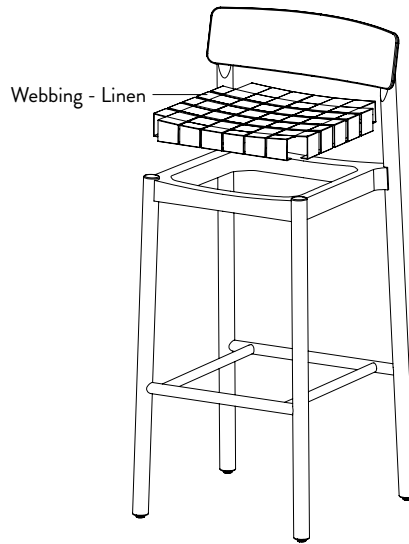
The Betty counter and bar chairs have been made to last and we hope it will serve you for many years. The chair is made from solid wood and wood veneer, and can be easily separated from its base. All metal and wooden parts can be separated and delivered to a suitable recycling station.

Spare parts

To purchase spare parts for your Betty chair, please write to our sales support team at info@andtradition.com with your query.

5 year warranty

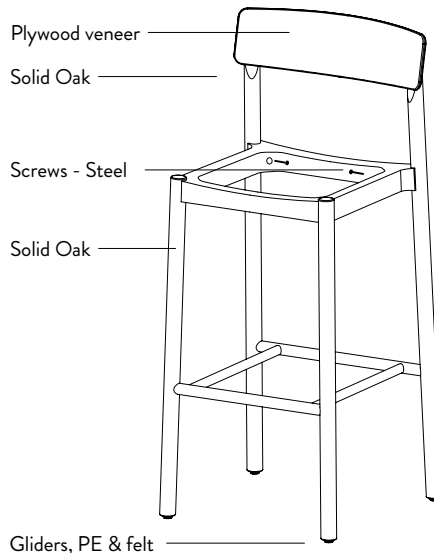
&Tradition provides a 5-year warranty with every Betty chair, which covers faults present at the time of purchase, or those which have occurred as a result of a manufacturing defect. The warranty is valid from the date stated on the original invoice.



Disassembly

Please follow these 3 steps to disassemble the Betty TK12 and TK15 chair.

1. To disassemble the Betty chair first remove the webbing from the seat.



2. Unscrew the bolts located inside the frame of the seat. This can be done with a socket wrench.

3. Remove the gliders.



TK13



TK16

Recycling & Disassembly

Betty TK13 & TK16

Recycling

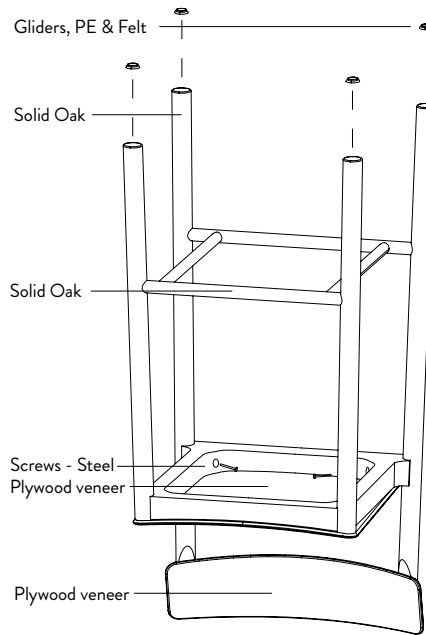
The Betty counter and bar chairs have been made to last and we hope it will serve you for many years. The chair is made from solid wood and wood veneer, and can be easily separated from its base. All metal and wooden parts can be separated and delivered to a suitable recycling station.

Spare parts

To purchase spare parts for your Betty chair, please write to our sales support team at info@andtradition.com with your query.

5 year warranty

&Tradition provides a 5-year warranty with every Betty chair, which covers faults present at the time of purchase, or those which have occurred as a result of a manufacturing defect. The warranty is valid from the date stated on the original invoice.

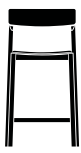


Disassembly

Please follow these 2 steps to disassemble the Betty TK13 and TK16 chair.

1. Remove the gliders.

2. Unscrew the bolts located inside the frame of the seat. This can be done with a socket wrench.



TK14



TK17

Recycling & Disassembly

Betty TK14 & TK17

Recycling

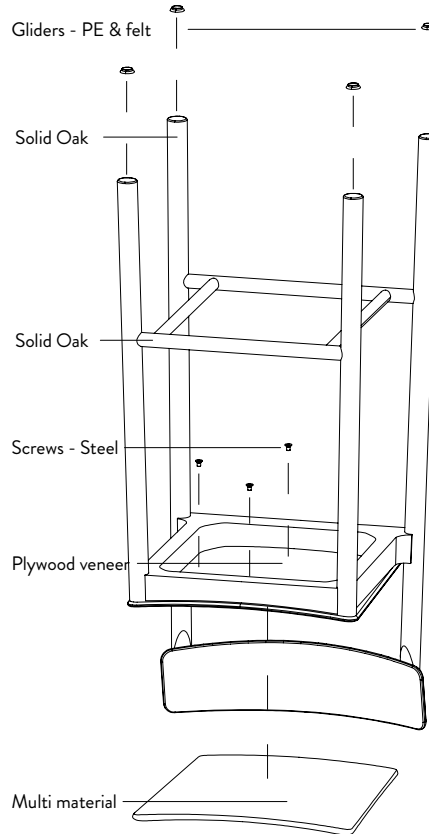
The Betty counter and bar chairs have been made to last and we hope it will serve you for many years. The chair is made from solid wood and wood veneer, and can be easily separated from its base. All metal and wooden parts can be separated and delivered to a suitable recycling station.

Spare parts

To purchase spare parts for your Betty chair, please write to our sales support team at info@andtradition.com with your query.

5 year warranty

&Tradition provides a 5-year warranty with every Betty chair, which covers faults present at the time of purchase, or those which have occurred as a result of a manufacturing defect. The warranty is valid from the date stated on the original invoice.



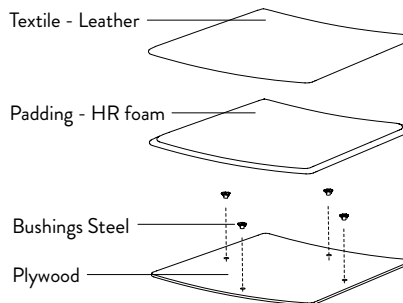
Disassembly

Please follow these 4 steps to disassemble the Betty TK14 and TK17 chair.

1. Remove the gliders.

2. Unscrew the bolts located inside the frame of the seat. This can be done with a socket wrench.

3. Unscrew the bolts underneath the seat to remove the multi material upholstery part.



4. Divide the upholstery part into the individual materials for proper recycling.