



BY APPOINTMENT TO
THE ROYAL DANISH COURT

CARL HANSEN & SØN

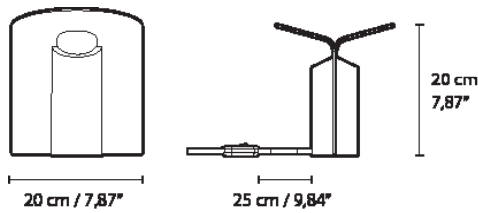


PRODUCT DATA SHEET

RF200 PETAL LAMP

The RF200 Petal Lamp, designed by Rikke Frost in 2021, is distinguished by its ability to create mood lighting. The distinctive composition of wood, metal, and ambient light takes its cues from trees, architectural arches, and columns. The lamp's wooden base rests on two vaulted metal reflectors illuminating upwards and dispersing soft, glare-free light downwards through the shades.

SPECIFICATIONS



Bulb	Dimmable function	Cord
Not included	None	2.5m black cord with in-line switch




	Socket	Watt	Voltage Frequency	Electric shock protection	Ingress protection	Recommended light source
EU/UK	E14	10W	Max. 220-240V/50-60HZ	Class II	IP20	Phillips LED: 4.3W (40W) warm white

Packaging dimensions and weight	Height	Width	Length	Cbm	Net.	Tara	Gross	Cartons
RF200 Base	110 mm	210 mm	260 mm	0.01	0.45 kg	0.25 kg	0.7 kg	1/2
RF200S Shade, brushed aluminum	110 mm	210 mm	260 mm	0.01	0.45 kg	0.25 kg	0.7 kg	2/2
RF200S Shade, brushed bras	110 mm	210 mm	260 mm	0.01	1.70 kg	0.25 kg	1.95 kg	2/2
RF200S Shade, white powder coated aluminum	110 mm	210 mm	260 mm	0.01	0.45 kg	0.25 kg	0.7 kg	2/2




Preassembled	Other remarks
No	Only available in EU, and UK

MATERIALS

Shade:

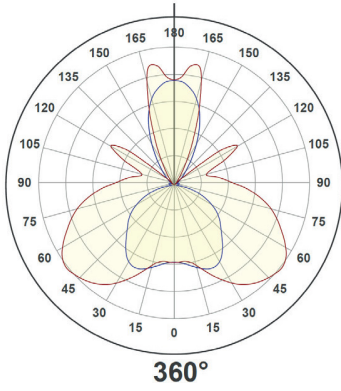
-  Brushed Brass
-  Brushed Aluminium
-  White powder coated aluminum

Base:

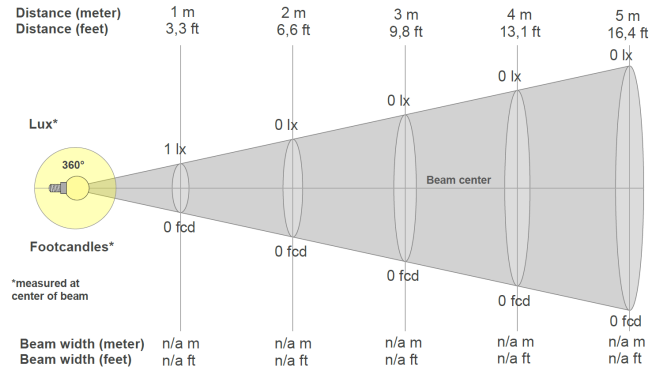
-  Oak oil
-  Oak black
-  Walnut oil

POWDER COATED ALUMINUM

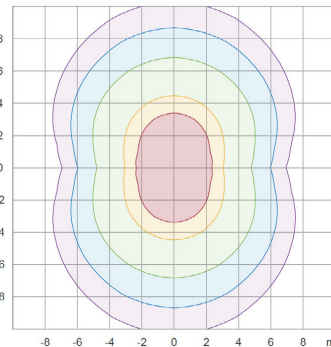
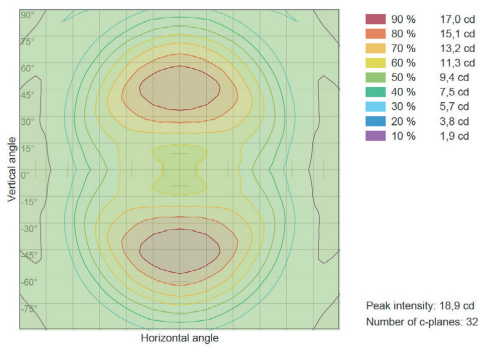
POLAR



FOOTCANDLES

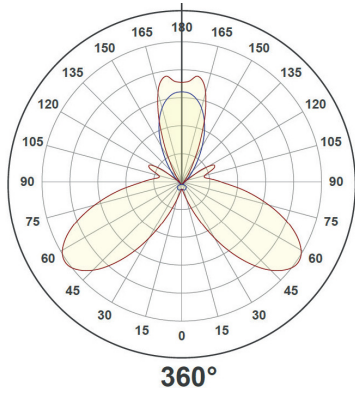


ISO-LUX

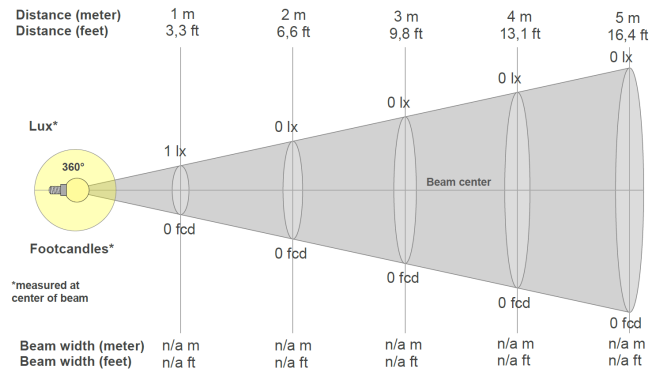


BRUSHED ALUMINIUM

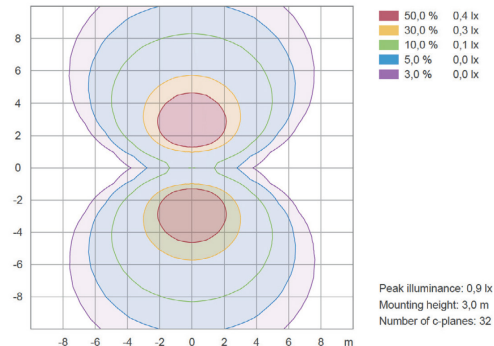
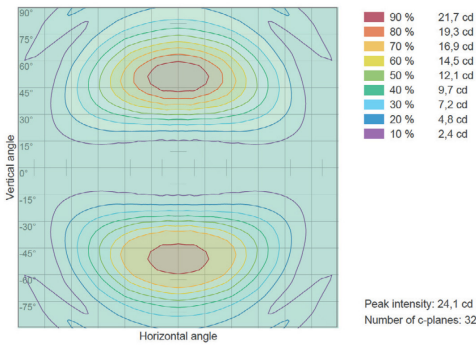
POLAR



FOOTCANDLES

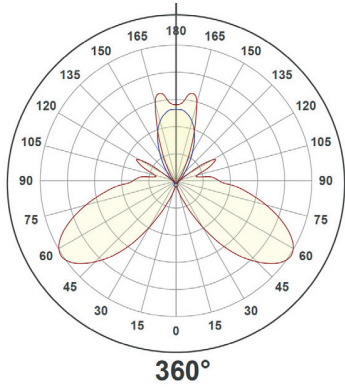


ISO-LUX

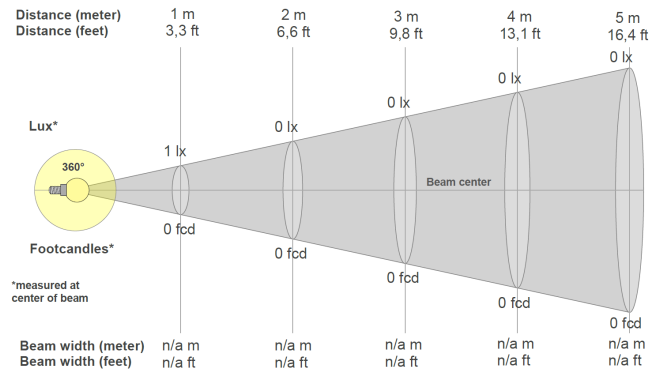


BRUSHED BRASS

POLAR



FOOTCANDLES



ISO-LUX

