



BY APPOINTMENT TO  
THE ROYAL DANISH COURT

CARL HANSEN & SØN

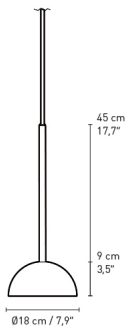


PRODUCT DATA SHEET

MO330 PENDANT

The MO Lighting Series is a collection of exquisitely minimalistic lamps designed to bring a sense of serenity and warmth - inspired by the comforting effect that light has on the human experience, especially during the dark days of winter. The Danish designer Mads Odegård chose to focus on two simple and familiar shapes: the hemisphere and the cylinder, forms with clear, logical connections to natural light.

**SPECIFICATIONS**



<b>Bulb</b>	<b>Dimmable function</b>	<b>Cord</b>	<b>Suspension</b>
Not included	None	2.5m black cord	Included



<b>Recommended light source</b>	<b>Socket</b>	<b>Max watt</b>	<b>Voltage frequency</b>	<b>Electric shock protection</b>	<b>Ingress protection</b>
Phillips LED: T25 1.7W E14, warm white	E14	15W	Max. 220-240V/50-60HZ	Class II	IP20

<b>Packaging dimensions and weight</b>	<b>Height</b>	<b>Width</b>	<b>Length</b>	<b>Cbm</b>	<b>Net.</b>	<b>Tara</b>	<b>Gross</b>	<b>Cartons</b>
	536 mm	296 mm	233 mm	0.04	0.8 kg	0.8 kg	1.6 kg	1/1

**Preassembled**

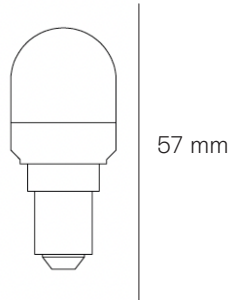
Yes

**MATERIALS**

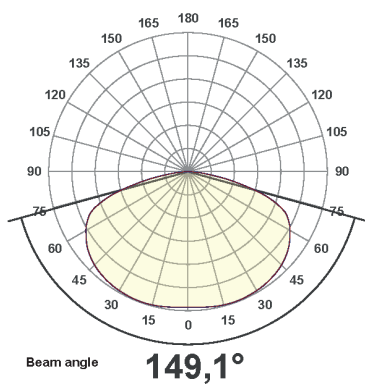
Shade:  White powder-coated steel  Black powder-coated steel

## RECOMMENDED LIGHT SOURCE USED FOR MEASUREMENTS

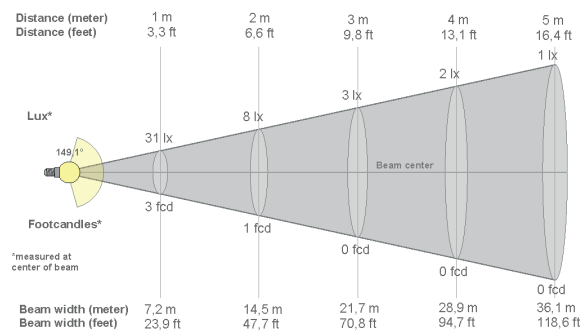
Phillips LED  
 T25 1.7W E14 220-240V  
 Warm white  
 1.7W = 15W  
 150 lumen  
 2700K



## POLAR



## FOOTCANDLES



## ISO-LUX

