



BY APPOINTMENT TO
THE ROYAL DANISH COURT

CARL HANSEN & SØN

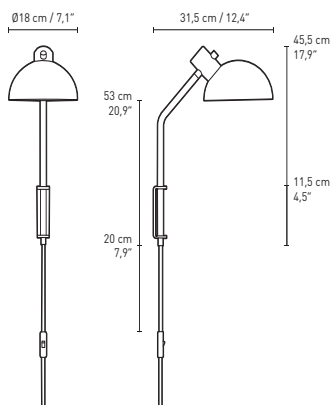


PRODUCT DATA SHEET

MO300 WALL LAMP

The MO Lighting Series is a collection of exquisitely minimalistic lamps designed to bring a sense of serenity and warmth - inspired by the comforting effect that light has on the human experience, especially during the dark days of winter. The Danish designer Mads Odgård chose to focus on two simple and familiar shapes: the hemisphere and the cylinder, forms with clear, logical connections to natural light.

SPECIFICATIONS





Bulb	Dimmable function	Cord
Not included	None	2.5m black cord with in-line switch

Recommended light source	Socket	Max watt	Voltage frequency	Electric shock protection	Ingress protection
Phillips LED: E14, 4.3W, warm white	E14	15W	Max. 220-240V/50-60HZ	Class II	IP20

Packaging dimensions and weight	Height	Width	Length	Cbm	Netto	Tara	Gross	Cartons
	587 mm	400 mm	252 mm	0.06	1.2 kg	1.4 kg	2.6 kg	1/1

Mounting	Preassembled
Black screws and plugs included	Yes

MATERIALS

Shade:  White powder-coated steel  Black powder-coated steel

RECOMMENDED LIGHT SOURCE USED FOR MEASUREMENTS

Phillips LED

P45 4.3W E14 220-240V FR

Warm white

4,3W = 40W

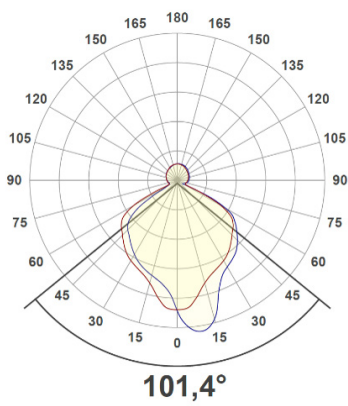
470 lumen

2700K

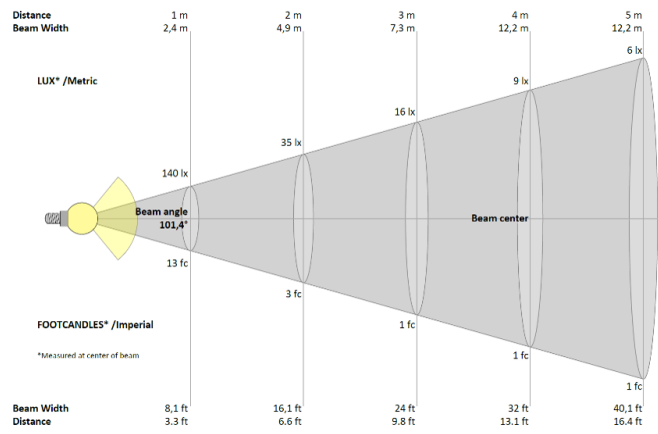


80 mm

POLAR



FOOTCANDLES



ISO-LUX

