

TORSTEN THORUP & CLAUS BONDERUP
BT1091, BT1001, BT1041
ASSEMBLING INSTRUCTIONS



CARL HANSEN & SØN
PASSIONATE CRAFTSMANSHIP

ENGLISH

IMPORTANT

Always shut off power to the circuit before starting installation work. In some countries electrical installation work may only be carried out by a authorised electrical contractor. Contact your local electricity authority for advice.

DEUTSCH

WICHTIG

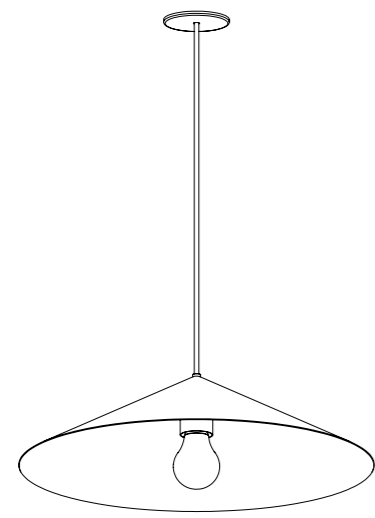
Vor der Installation den Strom abschalten. In einigen Ländern dürfen Elektroinstallationen nur von autorisierten Elektrofachleuten ausgeführt werden. Im Zweifelsfall die örtlichen Behörden ansprechen.

DANSK

VIGTIGT

Sluk altid for strømmen, før installationen påbegyndes. I nogle lande må elektriske installationer kun udføres af en uddannet elektriker. Få oplysninger hos de relevante myndigheder.



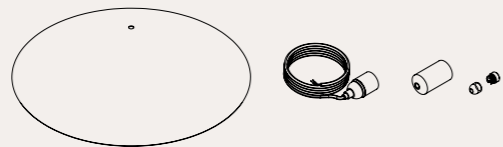


TORSTEN THORUP
& CLAUS BONDERUP
BT1091, BT1001, BT1041

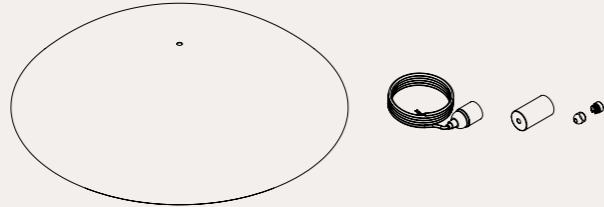
1.



BT1091



BT1001



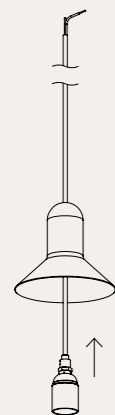
BT1041



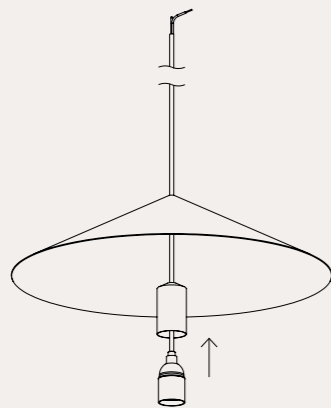
LIGHT BULB
(NOT INCLUDED)

2.

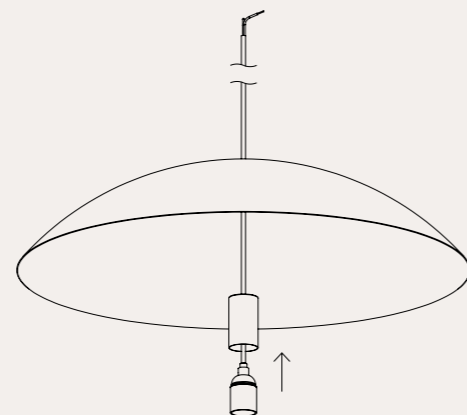
BT1091
0,5 KG



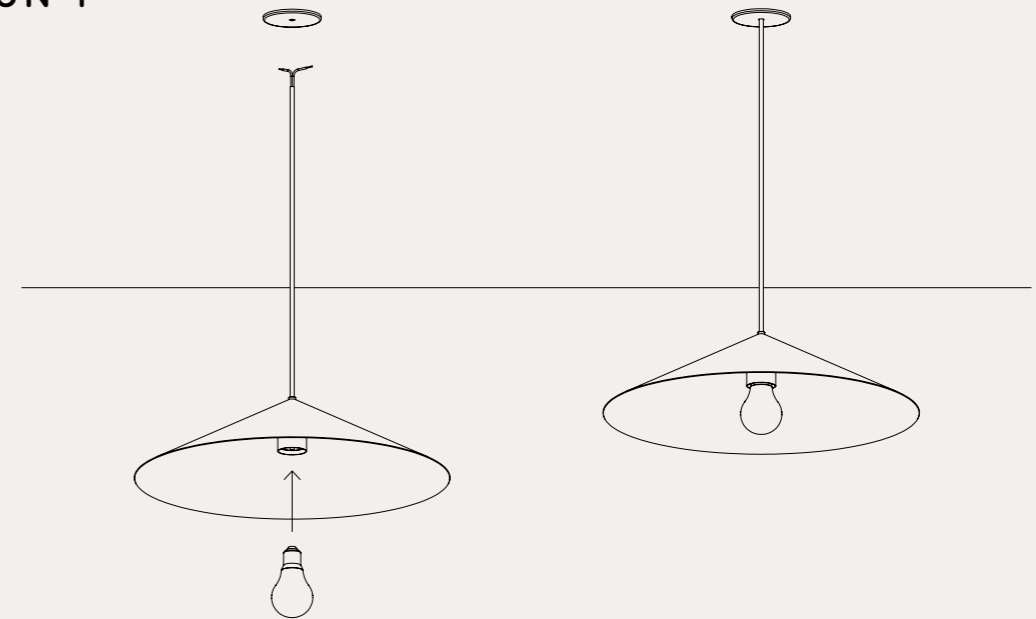
BT1001
2,1 KG



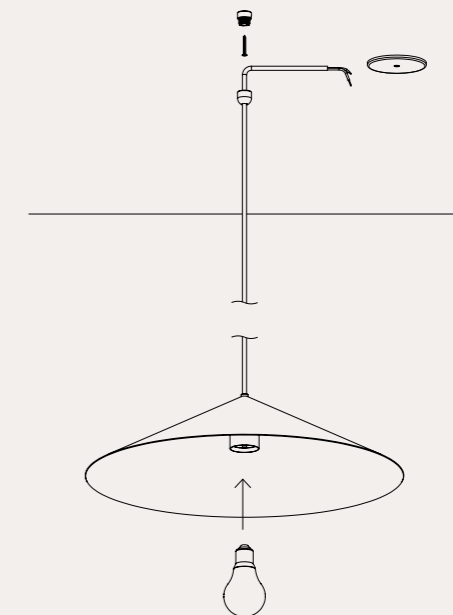
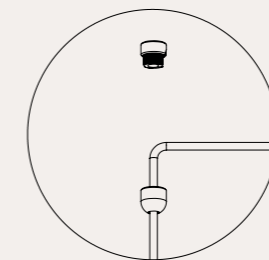
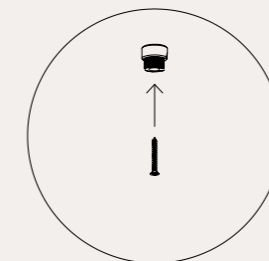
BT1041
4,3 KG



OPTION 1

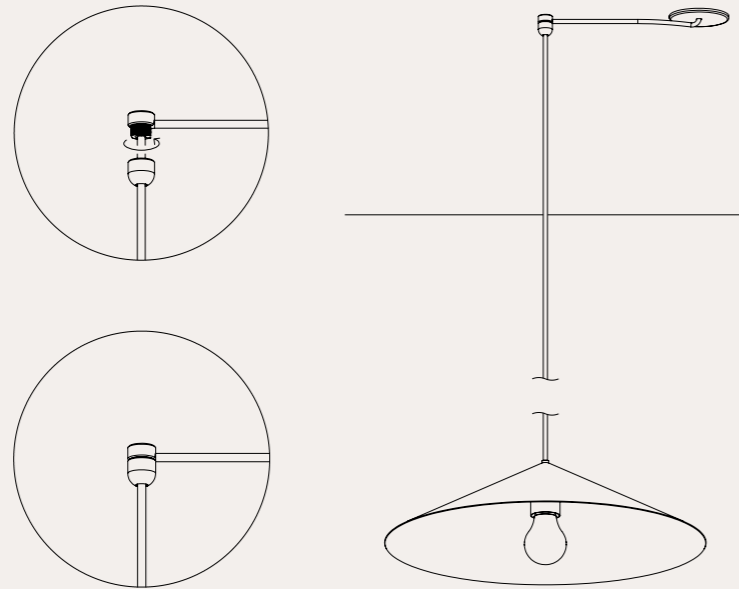


OPTION 2/1



TORSTEN THORUP & CLAUS BONDERUP
BT1091, BT1001, BT1041

OPTION 2/2



EVERY PIECE COMES
WITH A STORY

When you choose a Carl Hansen & Søn product, you gain more than just a piece of furniture.

You become part of a proud tradition of distinctive and beautiful craftsmanship, where nothing has been left to chance. Where all furniture is manufactured with great love for design and the history of the crafting process. Where each piece passes through numerous expert hands before taking pride of place in your chosen space, recounting a story of masterful design in quality wood from sustainable forrests.



CARL HANSEN & SØN
PASSIONATE CRAFTSMANSHIP

IN9000