

FOSCARINI



Gregg Suspension

*Ludovica e Roberto Palomba
2007*

One of the most versatile collections, ideal for insertion in any type of context. The white frosted shade with its organic, asymmetrical form emits warm, uniform light. The closed form makes it easy to insert at different heights. Arranged in compositions, it offers a surprising range of applications.

Gregg Piccola Suspension

**Color**

White

Material

Blown acid-etched glass

Light Source

Bulb not included G9 8W Max Dimmable

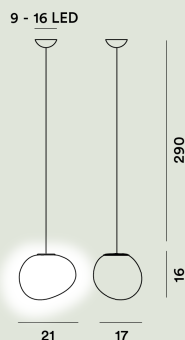
Weight

kg 0,7

Certifications

CE IP 20

Gregg Midi Suspension

**Color**

White

Material

Hand-blown cased acid-etched glass, Blown acid-etched glass

Light Source

LED retrofit bulb included E14 5,5W 2700 K 806lm CRI >80 Dimmable

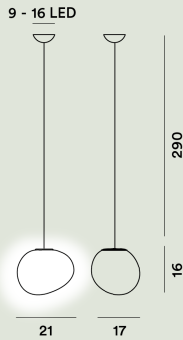
Weight

kg 1,35

Certifications

CE IP 20

Gregg Midi Suspension LED

**Color**

White

Material

Hand-blown cased acid-etched glass

Light Source

LED included 12W 2700 K 1352lm CRI >90 Dimmable

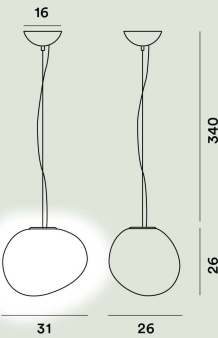
Weight

kg 1,7

Certifications

CE IP 20

Gregg Media Suspension LED

**Color**

White

Material

Blown acid-etched glass

Light Source

LED included 23,9W 2700 K 2581lm CRI >90 Dimmable PUSH and DALI

LED included 23,9W 2700 K 2581lm CRI >90 On-Off

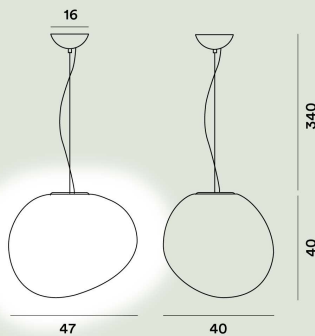
Weight

kg 3,8

Certifications

CE IP 20

Gregg Grande Suspension LED

**Color**

White

Material

Blown acid-etched glass

Light Source

LED included 23,9W 2700 K 2581lm CRI >90 Dimmable PUSH and DALI

LED included 23,9W 2700 K 2581lm CRI >90 On-Off

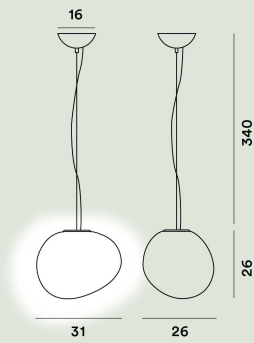
Weight

kg 6,3

Certifications

CE IP 20

Gregg Media Suspension

**Color**

White

Material

Blown acid-etched glass

Light Source

LED retrofit bulb included E27 21W 2700 K 2581lm CRI >80 Dimmable

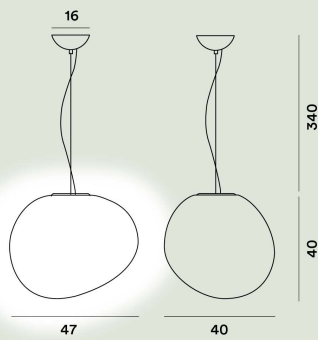
Weight

kg 3,2

Certifications

CE IP 20

Gregg Grande Suspension

**Color**

White

Material

Blown acid-etched glass

Light Source

LED retrofit bulb included E27 21W 2700 K 2581lm CRI >80 Dimmable

Weight

kg 5,9

Certifications

CE IP 20