

CURIOUS | LOUNGE CHAIR

Designed by Luigi Vittorio Cittadini



DIMENSIONS

H x W x D: 71.5 x 54.5 x 63.5 cm / 28.1 x 21.5 x 25"



MARKINGS, TESTS & CERTIFICATIONS

EN 16139 Furniture – Seating (Level 1)
ANSI/BIFMA X5.4 – Public and Lounge Seating



MATERIAL

Plywood, steel and polyester (Horizons S and Teddy bear). Find more information in the Horizons S and Teddy bear fabric spec sheet.



CONSTRUCTION

Frame: Steel **Back and seat:** Plywood with oak veneer.



WEIGHT

Curious lounge chair: 19.5 kg / 43 lb
Seat Cushion: 2 kg / 4.4 lb



WEIGHT INCL. PACKAGING

Curious lounge chair: 23.5 kg / 51.8 lb
Seat Cushion: 3 kg / 6.6 lb



PACKAGING DIMENSIONS (L x W x H)

Lounge chair: 67.5 x 53.5 x 64.5 cm / 26.6 x 21.1 x 25.4"
Seat Cushion: 57 x 53 x 4.5 cm / 22.4 x 20.9 x 1.8"



ASSEMBLY TIME

10 min



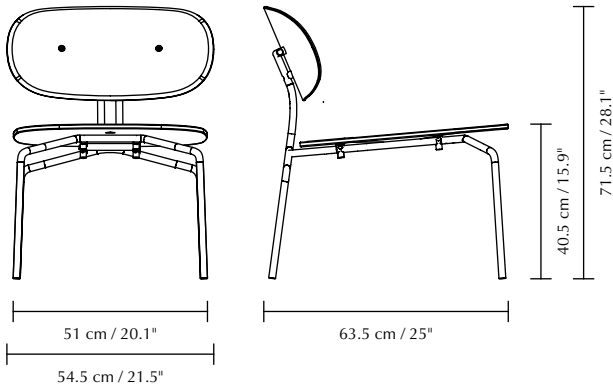
MEDIA KIT

Photos and press material
Download at umage.presscloud.com



ORDERING INFORMATION

| | |
|-------------------------------------|----------------|
| Brass (legs) (without Seat Cushion) | #5917-1 |
| Brass (legs) sugar brown | #5917-1C730-01 |
| Brass (legs) white sands | #5917-1C730-02 |
| Brass (legs) sterling | #5917-1C730-03 |
| Brass (legs) shadow | #5917-1C730-04 |
| Brass (legs) teddy white | #5917-1C730-18 |
| Brass (legs) teddy brown | #5917-1C730-19 |
| Black (legs) (without Seat Cushion) | #5917-3 |
| Black (legs) sugar brown | #5917-3C730-01 |
| Black (legs) white sands | #5917-3C730-02 |
| Black (legs) sterling | #5917-3C730-03 |
| Black (legs) shadow | #5917-3C730-04 |
| Black (legs) teddy white | #5917-3C730-18 |
| Black (legs) teddy brown | #5917-3C730-19 |



Colour variations

(legs)

(textiles)



brass



black



sugar brown



white sands



sterling



shadow



teddy white



teddy brown


UMAGE

CURIOUS | LOUNGE CHAIR

Designed by Luigi Vittorio Cittadini



The lounge chair, with its serene presence, is an elegant addition to the living room or bedroom of the private home or ideal for hotel lobbies or waiting rooms.

Designed by French Italian designer, Luigi Vittorio Cittadini, the Curious collection is infused with an ironic edge, a poetic contrast and elements of Italian design tradition: *"The idea and desire behind Curious were to create seats with a human, curious look, almost as a friend's presence in your space."*

All pieces of the Curious collection are made from oak veneer, delicately paired with brass or black legs, creating a harmonious balance of natural warmth and contemporary style.

Find more info on our website umage.com

