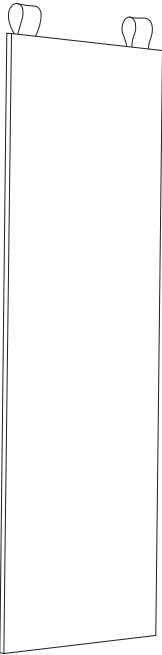
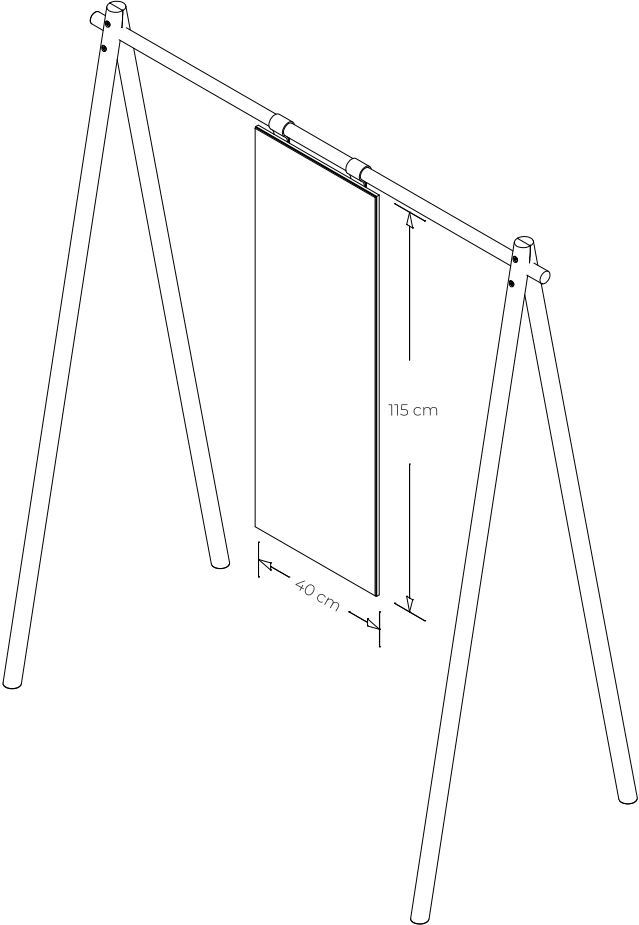


Assembly instruction



# HONGI MIRROR

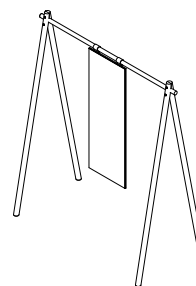
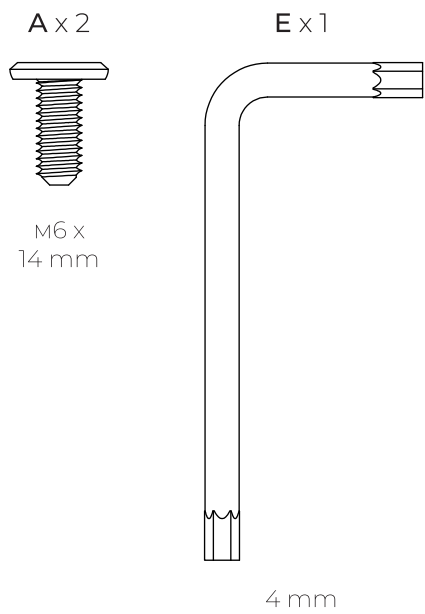


karup

DESIGN

# FITTINGS

---



1 x **1**

2 x **2**

