



PRODUCT SHEET

Androgyne Dining Table, Rectangular
by Danielle Siggerud

Androgyne Dining Table, Rectangular 210×110

BY DANIELLE SIGGERUD

The Androgyne Collection pairs natural materials and sculptural forms to striking effect, taking its name from its blend of the masculine and feminine. A bold, confident take on a table, the rectangular iteration amplifies the dimensions of the collection's dining table to grander proportions. The architect-designed piece, crafted with a wood veneer top and base, serves as a community-style table, with room to seat from 8-10 individuals. Available in 210 cm and 280 cm, its artistic silhouette balances function and beauty.

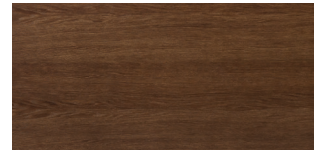


PRODUCT OPTIONS

TABLETOP



NATURAL OAK



DARK STAINED OAK

OAK BASE



NATURAL OAK



DARK STAINED OAK

Androgyne Dining Table, Rectangular 210×110

BY DANIELLE SIGGERUD

TECHNICAL SPECIFICATIONS

PRODUCT TYPE

Dining table

COLLI

1

ENVIRONMENT

Indoor

DIMENSIONS

H: 73 cm / 28,8"

W: 210 cm / 82,7"

D: 110 cm / 43,3"

PRODUCTION PROCESS

CNC-cut and hand-polished stone or CNC-cut MDF with oak veneer. CNC-cut steel fitting with powder coated finish.

COLOUR

Natural oak

Dark stained oak

GLOSS

N / A

MATERIALS

Natural and dark stained oak veneer, MDF, powder coated steel, PA plast glides

WEIGHT

Tabletop: 54,5 kg / 120,2 lb

Base: 27,5 kg / 60,6 lb

TEST

N / A

CERTIFICATIONS

TSCA title VI compliant

PACKAGING TYPE

Tabletop

Brown box

Base

Brown box

PACKAGING MEASUREMENTS (H x W x D)

Tabletop

7,5 cm x 115 cm x 215 cm / 3" x 45,3" x 84,6"

Base

22 cm x 36,5 cm x 73 cm / 8,7" x 14,4" x 28,7"

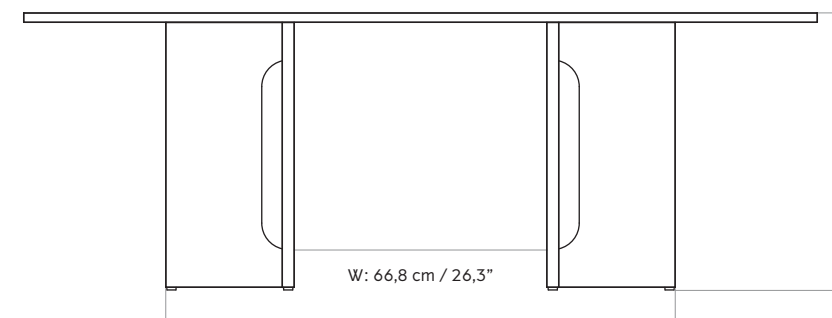
MATERIALS & MAINTENANCE

Please visit [menuspace.com](https://www.menuspace.com) for materials and care and maintenance instructions.



D: 110 cm / 43,3"

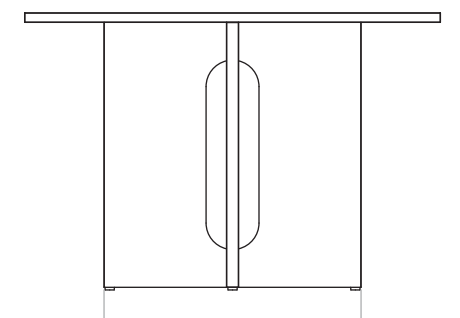
W: 210 cm / 82,7"



H: 73 cm / 28,8"

W: 66,8 cm / 26,3"

W: 134,8 cm / 53,1"



D: 68 cm / 26,8"

Androgyne Dining Table, Rectangular 280×110

BY DANIELLE SIGGERUD

The Androgyne Collection pairs natural materials and sculptural forms to striking effect, taking its name from its blend of the masculine and feminine. A bold, confident take on a table, the rectangular iteration amplifies the dimensions of the collection's dining table to grander proportions. The architect-designed piece, crafted with a wood veneer top and base, serves as a community-style table, with room to seat from 8-10 individuals. Available in 210 cm and 280 cm, its artistic silhouette balances function and beauty.



PRODUCT OPTIONS

TABLETOP



NATURAL OAK



DARK STAINED OAK

OAK BASE



NATURAL OAK



DARK STAINED OAK

Androgyne Dining Table, Rectangular 280×110

BY DANIELLE SIGGERUD

TECHNICAL SPECIFICATIONS

PRODUCT TYPE
Dining table

COLLI
1

ENVIRONMENT
Indoor

DIMENSIONS
H: 73,5 cm / 28,9"
W: 280 cm / 110,2"
D: 110 cm / 43,3"

PRODUCTION PROCESS
CNC-cut and hand-polished stone or CNC-cut MDF with oak veneer. CNC-cut steel fitting with powder coated finish.

COLOUR
Natural oak
Dark stained oak

GLOSS
N / A

MATERIALS
Natural and dark stained oak veneer, MDF, powder coated steel, PA plast glides

WEIGHT
Tabletop: 75 kg / 165,3 lb
Base: 27,5 kg / 60,6 lb

TEST
N / A

CERTIFICATIONS
TSCA title VI compliant

PACKAGING TYPE

Tabletop
Brown box

Base
Brown box

PACKAGING MEASUREMENTS (H x W x D)

Tabletop
7,5 cm x 115 cm x 283 cm / 3" x 45,3" x 111,4"

Base
22 cm x 36,5 cm x 73 cm / 8,7" x 14,4" x 28,7"

MATERIALS & MAINTENANCE
Please visit [menuspace.com](https://www.menuspace.com) for materials and care and maintenance instructions.

